

MOTOR SPECIFICATION SHEET

MODEL : SI-K 1 3/4HP 4P

USED FOR : STANDARD

DESCRIPTION	DETAIL			
PHASE	1			
TYPE	REPULSION START			
MODEL NAME	SI-K			
RATED OUTPUT, HP (kW)	1 3/4 (1.3)			
POLE	4			
CODE	MEATH CODE : 1M001I-400130K-ET0			
OUTLINE DRAWING NO.	ONM04O055-*			
RATED VOLTAGE (V)	220	230	220	
RATED FREQUENCY (Hz)	50	50	60	
RATED CURRENT (A)	12.0	12.2	10.3	
RATED SPEED (min ⁻¹)	1450	1450	1740	
THERMAL CLASS	120(E)			
RATING	S1 (CONTINUOUS)			
ENCLOSURE CONSTRUCTION	TOTALLY ENCLOSED			
DEGREES OF PROTECTION	IP44			
METHOD OF COOLING	IC411			
FRAME NO.	100			
WEIGHT (kg)	36.6			
STANDARD	JEC-2137-2000			
INSTALLATION	FOOT MOUNTED			
ROTATION	CCW (VIEWED FROM SHAFT END)			
BEARING	LOAD SIDE : 6206ZZ			
	OPPOSITE SIDE : 6204ZZ			
BEARING GREASE	UREA GREASE			
VIBRATION	V30			
CIRCUMSTANCE CONDITION	AMBIENT TEMPERATURE : -20 ~ +40°C			
	AMBIENT HUMIDITY : 95%RH OR LESS			
	ABOVE SEA LEVEL : 1000m OR LESS			
	ENVIRONMENT : NO BURSTING/EROSIVE GAS OR VAPOR			
COLOR	MUNSELL N5.5 (GRAY)			
TERMINAL BOX	NO. OF LEAD WIRES : 2			
	SOURCE CONNECTION : LEAD WIRES			
INSULATION RESISTANCE	BY DC 500V MEGGER - ≥100MΩ			
DIELECTRIC TEST	AC 50Hz 1500V - 1min. (Based on rated voltage 220V)			
SHAFT SWING	≤0.03mm			
MATERIAL	FRAME : CAST IRON			
	BRACKET : CAST IRON			
	SHAFT : CARBON STEEL			
	STATOR CORE : ELECTRICAL STEEL			
	WIRE : ENAMELLED COPPER MAGNET WIRE			
	INSULATOR : POLYESTER FILM			
	VARNISH : EPOXY DENATURALIZATION POLYESTER			
	ROTOR CORE : ELECTRICAL STEEL			
	CONDUCTOR : ENAMELLED COPPER MAGNET WIRE			
	TERMINAL BOX : STEEL PLATE			
	PAINTING : POLYURETHANE RESIN			
PRODUCTION COUNTRY	THAILAND			

Specifications subject to change without notice.

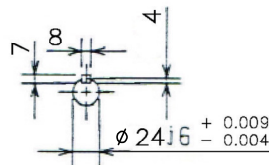
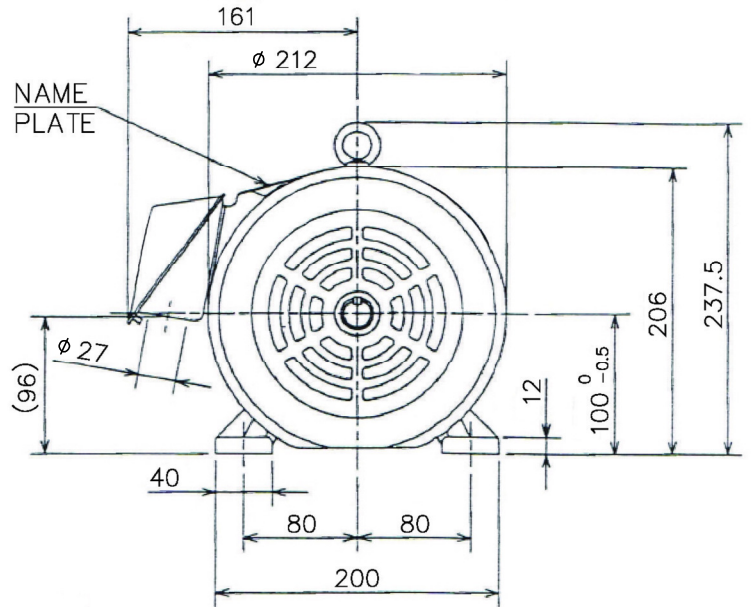
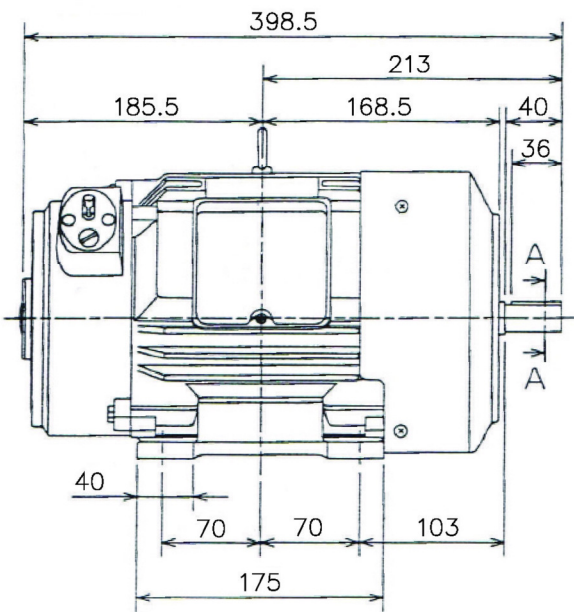
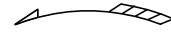
SPECIFICATION SHEET NO.				
SS-M-0211-B				

MODEL S1-K SINGLE PHASE INDUCTION MOTOR OUTLINE DRAWING

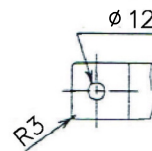
REPULSION START TYPE
 DEGREES OF PROTECTION IP44
 TOTALLY ENCLOSED

CUSTOMER _____
 USER _____
 FOR _____
 CUSTOMER'S ORDER NO. _____
 QUANTITY _____
 MFG. ORDER NO. _____

ROTATION



SECTION A-A

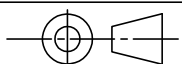


FRAME FOOT AS VIEWED FROM BELOW

FRAME SIZE	RATING	TH. CLASS	AMB. TEMP.	BEARINGS		COLOR	DIRECTION OF ROTATION	NO. OF LEAD WIRES	REMARKS
				LOAD SIDE	OPP. SIDE				
100	S1 (CONT.)	120(E)	40°C	6206ZZ	6204ZZ	GRAY (MUNSELL N5.5)	CCW	2	

OUTPUT		POLES	VOLT	HERTZ	REMARKS
HP	kW				
1 3/4	1.3	4	220/230	50	
			220	60	

MITSUBISHI ELECTRIC AUTOMATION (THAILAND) CO., LTD.



DIMENSION IN mm.
 SCALE : NTS

OUTLINE DRAWING NO.

0 N M 0 4 0 0 5 5

REV.

