



**MITSUBISHI ELECTRIC AUTOMATION (THAILAND) CO., LTD.**  
 Bang-Chan Industrial Estate No. 111 Moo 4, Serithai Rd., T.Kannayao, A.Kannayao, BKK 10230 Thailand  
 Tel: (66) 2517-1326, (66) 2919-9873 Fax: (66) 2517-1328 URL: www.meath-co.com E-mail: support@meath.co.th  
**บริษัท มิตซูบิชิ อิเล็กทริก ออโตเมชัน (ประเทศไทย) จำกัด**  
 นิคมอุตสาหกรรมบางชัน เลขที่ 111 หมู่ 4 ถนนเสรีไทย แขวงคันนายาว เขตคันนายาว กทม. 10230  
 โทรศัพท์: (66) 2517-1326, (66) 2919-9873 โทรสาร: (66) 2517-1328 URL: www.meath-co.com E-mail: support@meath.co.th

**MOTOR SPECIFICATION SHEET**

MODEL : SF-PRVO 2.2kW 4P  
 USED FOR : 400V CLASS  
 MANUFACTURER : MITSUBISHI ELECTRIC AUTOMATION (THAILAND) CO.,LTD.

DESCRIPTION	DETAIL				
PHASE	3				
MODEL NAME	SF-PRVO				
RATED OUTPUT	2.2 kW				
POLE	4				
CODE	MEATH CODE : 1M002V-400220PVNG0				
OUTLINE DRAWING NO.	ONM04O268-A				
RATED VOLTAGE (V)	380	400	415	400	
RATED FREQUENCY (Hz)	50	50	50	60	
RATED CURRENT (A)	4.8	4.8	4.9	4.4	
RATED SPEED (min <sup>-1</sup> )	1445	1450	1455	1745	
RATED EFFICIENCY	88.1%	88.2%	87.5%	89.9%	
EFFICIENCY CLASS	IE3				
THERMAL CLASS	120 (E)				
RATING	S1 (CONTINUOUS)				
ENCLOSURE CONSTRUCTION	TOTALLY ENCLOSED FAN COOLED				
DEGREES OF PROTECTION	IP44 (OUTDOOR WATERPROOF)				
METHOD OF COOLING	IC411				
FRAME NO.	100L				
WEIGHT (kg)	33				
STANDARD	IEC 60034-1, IEC 60034-30-1				
INSTALLATION	FLANGE MOUNTED (VERTICAL)				
ROTATION	CCW (VIEWED FROM SHAFT END)				
BEARING	LOAD SIDE : 6206ZZ OPPOSITE SIDE : 6205ZZ				
BEARING GREASE	UREA GREASE				
NOISE (dB.A)*	50Hz : 54 / 60Hz : 59				
VIBRATION	V10				
CIRCUMSTANCE CONDITION	AMBIENT TEMPERATURE : -30 ~ +40°C AMBIENT HUMIDITY : 100% RH (NO CONDENSATION) ABOVE SEA LEVEL : 1000m OR BELOW ENVIRONMENT : NO CORROSIVE/EXPLOSIVE GAS, NO STEAM OR CONDENSATION, MINIMAL DUST.				
COLOR	MUNSELL N7 (GRAY)				
TERMINAL BOX	NO. OF LEAD WIRES : 3 SOURCE CONNECTION : TERMINAL BLOCK				
SHAFT SWING	≤0.03mm				
MATERIAL	FRAME : STEEL PLATE BRACKET LOAD SIDE : CAST IRON (FLANGE) OPPOSITE SIDE : ALUMINIUM SHAFT : CARBON STEEL STATOR CORE : ELECTRICAL STEEL WIRE : ENAMELLED COPPER MAGNET WIRE ROTOR CORE : ELECTRICAL STEEL CONDUCTOR : ALUMINIUM TERMINAL BOX : STEEL PLATE PAINTING : POLYURETHANE RESIN				
PRODUCTION COUNTRY	THAILAND				

\*Value indicates representative value, not guaranteed value.

Specifications subject to change without notice.

<b>SPECIFICATION SHEET NO.</b>				
SS-M-0750-A				

# MODEL SF-PRVO THREE PHASE INDUCTION MOTOR OUTLINE DRAWING

OUTDOOR WATERPROOF MOTOR

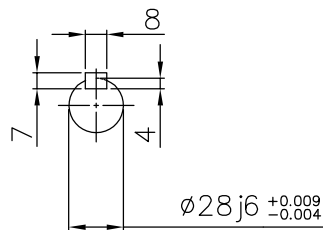
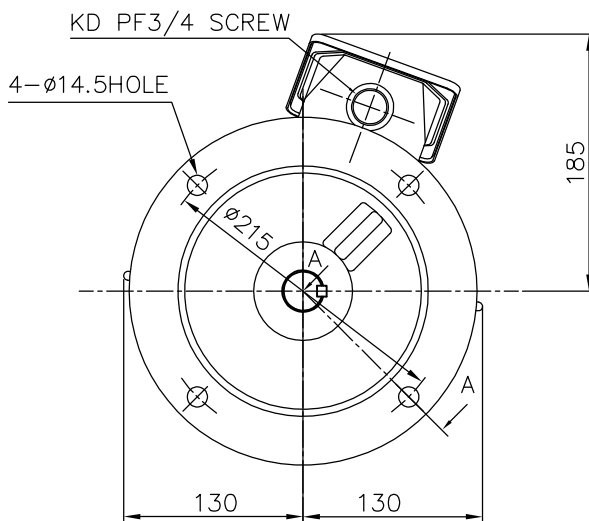
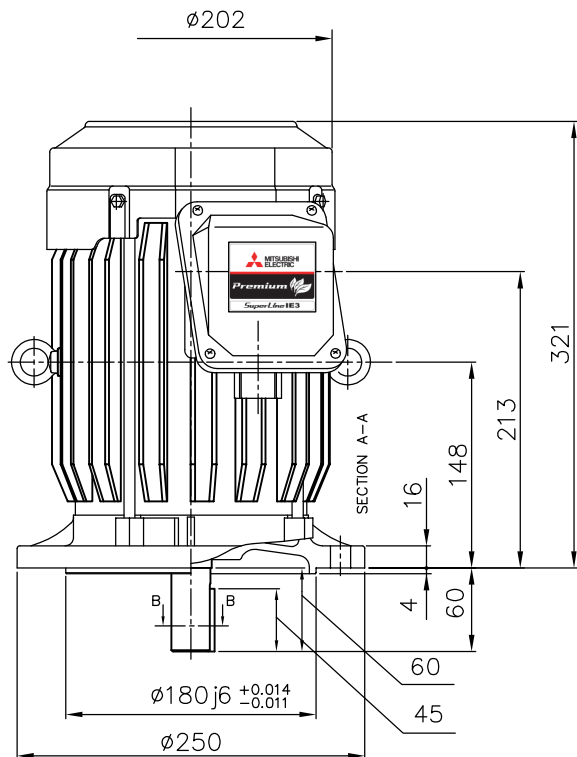
TOTALLY ENCLOSED FAN COOLED TYPE

DEGREES OF PROTECTION IP44

FLANGE NO. FF215

CUSTOMER \_\_\_\_\_  
 USER \_\_\_\_\_  
 FOR \_\_\_\_\_  
 CUSTOMER'S ORDER NO. \_\_\_\_\_  
 QUANTITY \_\_\_\_\_  
 MFG. ORDER NO. \_\_\_\_\_

ROTATION



SECTION B-B

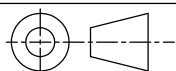
NOTE :

GAP OF HOLE BETWEEN SHAFT-BRACKET HAVE NOT PROTECTION WATER PROOF SO PLEASE SEAL WITH FLANGE IN-ROW BY YOUR SELF.

YOUR ORDER	FRAME SIZE	RATING	TH. CLASS	AMB. TEMP.	BEARINGS		COLOR	DIRECTION OF ROTATION (VIEWED FROM SHAFT END)	NO. OF TERMINALS	REMARKS
					LOAD SIDE	OPP. SIDE				
	100L	S1 (CONT.)	120(E)	40°C	6206ZZ	6205ZZ	GRAY (MUNSELL N7)	CCW	3	

YOUR ORDER	OUTPUT		RATE VOLTAGE	IE CODE-RATED EFF.						MASS(Kg)
	kW	POLE		50Hz			60Hz			
				200V	380V	400V	415V	200V	400V	
2.2	4	200V 50Hz 200V 60Hz	IE3-88.2%	-	-	-	IE3-89.9%	-	33	
2.2	4	380/400/415V 50Hz 400V 60Hz	-	IE3-88.1%	IE3-88.2%	IE3-87.5%	-	IE3-89.9%	33	

MITSUBISHI ELECTRIC AUTOMATION(THAILAND)CO.,LTD



DIMENSION IN mm.

SCALE : NTS

OUTLINE DRAWING NO.

0 N M 0 4 0 2 6 8

REV.

A