



MITSUBISHI ELECTRIC AUTOMATION (THAILAND) CO., LTD.
 Bang-Chan Industrial Estate No. 111 Moo 4, Serithai Rd., T.Kannayao, A.Kannayao, BKK 10230 Thailand
 Tel: (66) 2517-1326, (66) 2919-9873 Fax: (66) 2517-1328 URL: www.meath-co.com E-mail: support@meath.co.th
บริษัท มิตซูบิชิ อิเล็กทริก ออโตเมชัน (ประเทศไทย) จำกัด
 นิคมอุตสาหกรรมบางชัน เลขที่ 111 หมู่ 4 ถนนเสรีไทย แขวงคันนายาว เขตคันนายาว กทม. 10230
 โทรศัพท์: (66) 2517-1326, (66) 2919-9873 โทรสาร: (66) 2517-1328 URL: www.meath-co.com E-mail: support@meath.co.th

MOTOR SPECIFICATION SHEET

MODEL : SF-PRV 2.2kW 4P
 USED FOR : 200V CLASS
 MANUFACTURER : MITSUBISHI ELECTRIC AUTOMATION (THAILAND) CO.,LTD.

DESCRIPTION	DETAIL		
PHASE	3		
MODEL NAME	SF-PRV		
RATED OUTPUT	2.2 kW		
POLE	4		
CODE	MEATH CODE : 1M002V-400220LIDH0		
OUTLINE DRAWING NO.	ONM04O262-*		
RATED VOLTAGE (V)	200	200	
RATED FREQUENCY (Hz)	50	60	
RATED CURRENT (A)	9.6	8.8	
RATED SPEED (min ⁻¹)	1450	1745	
RATED EFFICIENCY	88.2%	89.9%	
EFFICIENCY CLASS	IE3		
THERMAL CLASS	120 (E)		
RATING	S1 (CONTINUOUS)		
ENCLOSURE CONSTRUCTION	TOTALLY ENCLOSED FAN COOLED		
DEGREES OF PROTECTION	IP44		
METHOD OF COOLING	IC411		
FRAME NO.	100L		
WEIGHT (kg)	33		
STANDARD	IEC 60034-1, IEC 60034-30-1		
INSTALLATION	FLANGE MOUNTED (VERTICAL)		
ROTATION	CCW (VIEWED FROM SHAFT END)		
BEARING	LOAD SIDE : 6206ZZ	OPPOSITE SIDE : 6205ZZ	
BEARING GREASE	UREA GREASE		
NOISE (dB.A)*	50Hz : 54 / 60Hz : 59		
VIBRATION	V10		
CIRCUMSTANCE	AMBIENT TEMPERATURE : -30 ~ +40°C		
CONDITION	AMBIENT HUMIDITY : 100% RH (NO CONDENSATION)		
	ABOVE SEA LEVEL : 1000m OR BELOW		
	ENVIRONMENT : NO CORROSIVE/EXPLOSIVE GAS, NO STEAM OR CONDENSATION, MINIMAL DUST.		
COLOR	MUNSELL N7 (GRAY)		
TERMINAL BOX	NO. OF LEAD WIRES : 3		
	SOURCE CONNECTION : TERMINAL BLOCK		
SHAFT SWING	≤0.03mm		
MATERIAL	FRAME	: STEEL PLATE	
	BRACKET LOAD SIDE	: CAST IRON (FLANGE)	
	OPPOSITE SIDE	: ALUMINIUM	
	SHAFT	: CARBON STEEL	
	STATOR CORE	: ELECTRICAL STEEL	
	WIRE	: ENAMELLED COPPER MAGNET WIRE	
	ROTOR CORE	: ELECTRICAL STEEL	
	CONDUCTOR	: ALUMINIUM	
	TERMINAL BOX	: STEEL PLATE	
	PAINTING	: ALKYD-NITROCELLULOSE RESIN	
PRODUCTION COUNTRY	THAILAND		

*Value indicates representative value, not guaranteed value.

Specifications subject to change without notice.

SPECIFICATION SHEET NO.				
SS-M-0737-A				

MODEL SF-PRV THREE PHASE INDUCTION MOTOR OUTLINE DRAWING

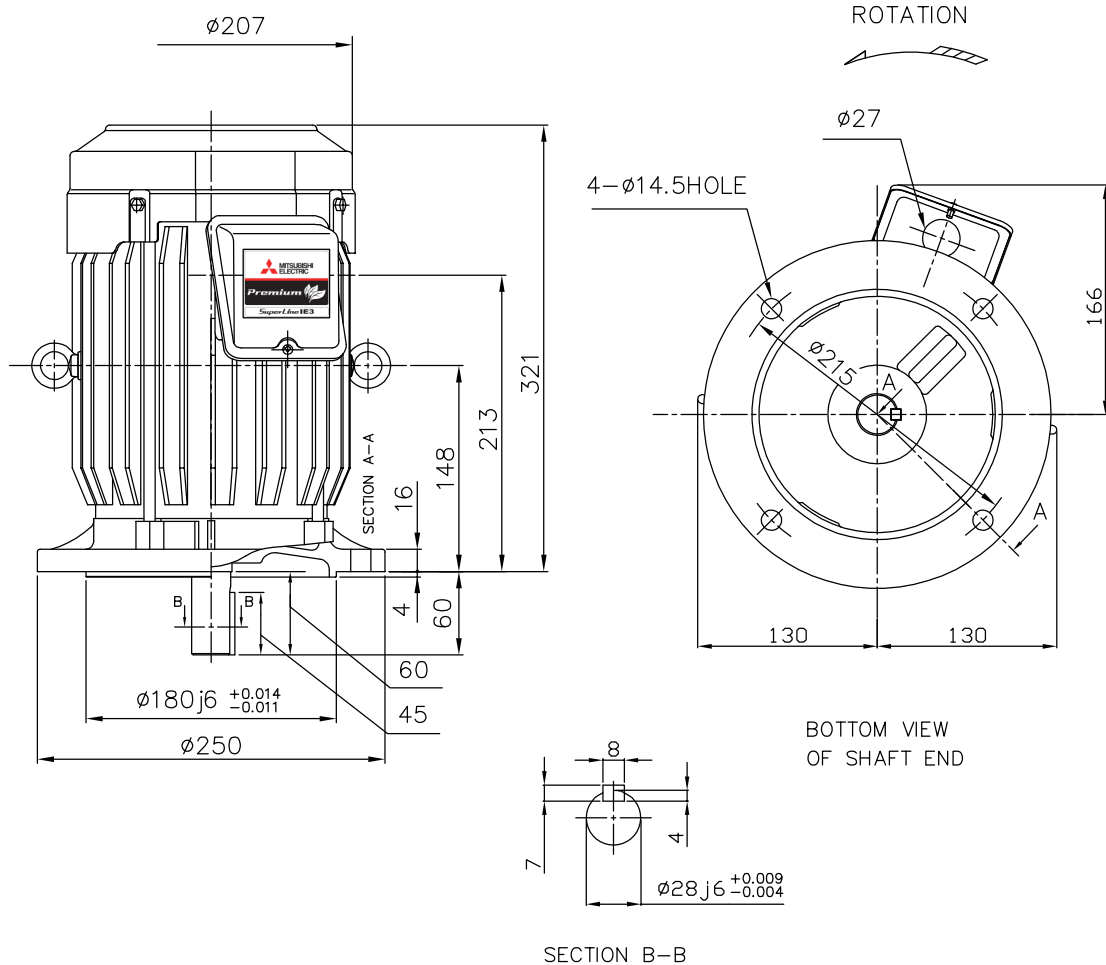
INDOOR MOTOR

TOTALLY ENCLOSED FAN COOLED TYPE

DEGREES OF PROTECTION IP44

FLANGE NO. FF215

CUSTOMER _____
 USER _____
 FOR _____
 CUSTOMER'S ORDER NO. _____
 QUANTITY _____
 MFG. _____
 ORDER NO. _____



YOUR ORDER	FRAME SIZE	RATING	TH. CLASS	AMB. TEMP.	BEARINGS		COLOR	DIRECTION OF ROTATION (VIEWED FROM SHAFT END)	NO. OF TERMINALS	REMARKS
					LOAD SIDE	OPP. SIDE				
	100L	S1 (CONT.)	120(E)	40°C	6206ZZ	6205ZZ	GRAY (MUNSELL N7)	CCW	3	

YOUR ORDER	OUTPUT		RATE VOLTAGE	IE CODE-RATED EFF.						MASS(Kg)
	kW	POLE		50Hz				60Hz		
				200V	380V	400V	415V	200V	400V	
	2.2	4	200V 50Hz 200V 60Hz	IE3-88.2%	-	-	-	IE3-89.9%	-	33
	2.2	4	380/400/415V 50Hz 400V 60Hz	-	IE3-88.1%	IE3-88.2%	IE3-87.5%	-	IE3-89.9%	33

MITSUBISHI ELECTRIC AUTOMATION(THAILAND)CO.,LTD

	OUTLINE DRAWING NO.	REV.
	DIMENSION IN mm. SCALE : NTS	ONM040262