



MITSUBISHI ELECTRIC AUTOMATION (THAILAND) CO., LTD.

Bang-Chan Industrial Estate No. 111 Moo 4, Serithai Rd., T.Kannayao, A.Kannayao, BKK 10230 Thailand
 Tel: (66) 2517-1326, (66) 2919-9873 Fax: (66) 2517-1328 URL: www.meath-co.com E-mail: support@meath.co.th

บริษัท มิตซูบิชิ อิเล็กทริก ออโตเมชัน (ประเทศไทย) จำกัด

นิติบุคคลสาขารวมบางชิ้น เลขที่ 111 หมู่ 4 ถนนเสรีไทย แขวงคันนายาว เขตคันนายาว กทม. 10230

โทรศัพท์: (66) 2517-1326, (66) 2919-9873 โทรสาร: (66) 2517-1328 URL: www.meath-co.com E-mail: support@meath.co.th

MOTOR SPECIFICATION SHEET

MODEL : SF-PRP 11kW 4P
 USED FOR : 380V 50Hz
 MANUFACTURER : MITSUBISHI ELECTRIC CORPORATION

| DESCRIPTION | DETAIL |
|----------------------------------|--|
| PHASE | 3 |
| MODEL NAME | SF-PRP |
| RATED OUTPUT | 11 kW |
| POLE | 4 |
| CODE | MEATH CODE : 1MU00F-401100PPLT0 |
| OUTLINE DRAWING NO. | BD39329-* |
| RATED VOLTAGE (V) | 380 |
| RATED FREQUENCY (Hz) | 50 |
| RATED CURRENT (A) | 21.5 |
| RATED SPEED (min ⁻¹) | 1460 |
| RATED EFFICIENCY | 92.3% |
| EFFICIENCY CLASS | IE3 |
| THERMAL CLASS | 130 (B) |
| RATING | S1 (CONTINUOUS) |
| ENCLOSURE CONSTRUCTION | TOTALLY ENCLOSED FAN COOLED |
| DEGREES OF PROTECTION | IP55 |
| METHOD OF COOLING | IC411 |
| FRAME NO. | 160M |
| WEIGHT (kg) | 100 |
| STANDARD | JIS C 4213, JEC-2137-2000 |
| INSTALLATION | FOOT MOUNTED |
| ROTATION | CCW (VIEWED FROM SHAFT END) |
| BEARING | LOAD SIDE : 6309ZZ |
| | OPPOSITE SIDE : 6308ZZ |
| BEARING GREASE | UREA GREASE |
| NOISE (dB.A)* | 64 |
| VIBRATION | V15 |
| CIRCUMSTANCE CONDITION | AMBIENT TEMPERATURE : -30 ~ +40°C |
| | AMBIENT HUMIDITY : 100% RH (NO CONDENSATION) |
| | ABOVE SEA LEVEL : 1000m OR BELOW |
| | ENVIRONMENT : NO CORROSIVE/EXPLOSIVE GAS, NO STEAM OR CONDENSATION, MINIMAL DUST. |
| COLOR | MUNSELL N7 (GRAY) |
| TERMINAL BOX | NO. OF LEAD WIRES : 6 |
| | SOURCE CONNECTION : LEAD WIRES |
| SHAFT SWING | ≤0.05mm |
| MATERIAL | FRAME : STEEL PLATE |
| | BRACKET : ALUMINIUM |
| | SHAFT : CARBON STEEL |
| | STATOR CORE : ELECTRICAL STEEL |
| | WIRE : ENAMELLED COPPER MAGNET WIRE |
| | ROTOR CORE : ELECTRICAL STEEL |
| | CONDUCTOR : ALUMINIUM |
| | TERMINAL BOX : STEEL PLATE |
| | PAINTING : POLYURETHANE RESIN |
| PRODUCTION COUNTRY | JAPAN |

*Value indicates representative value, not guaranteed value.

Specifications subject to change without notice.

| | | | | |
|--------------------------------|--|--|--|--|
| SPECIFICATION SHEET NO. | | | | |
| SS-M-3638-A | | | | |

TYPE SF-PRP SUPER-LINE THREE PHASE INDUCTION MOTOR

OUT LINE
DIMENSION IN mm

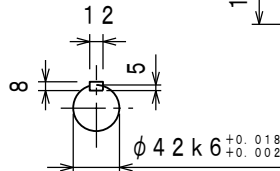
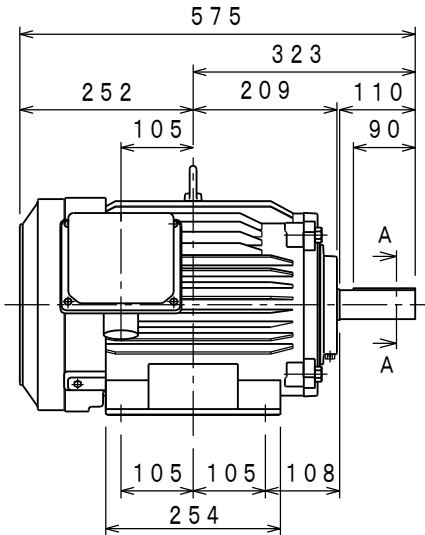
WATER PROOF TYPE, DUST PROOF TYPE

TOTALLY ENCLOSED FAN COOLED
PROTECTION DEGREE IP55 , COOLING METHOD IC411
FRAME NO. 160M

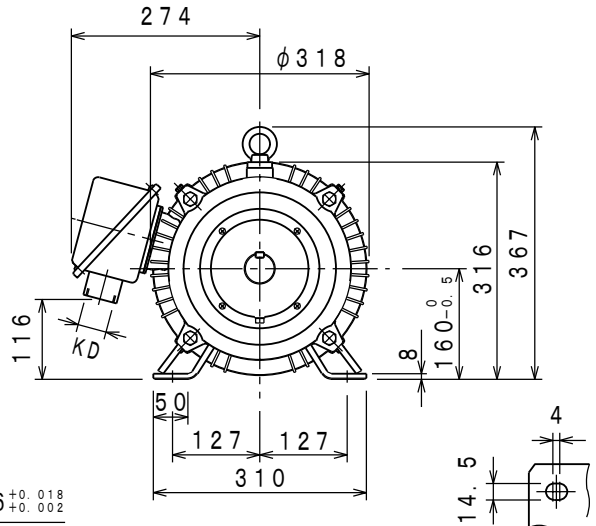
CUSTOMER _____
USER _____
FOR _____
CUST'S ORDER NO. _____
QUANTITY _____ UNIT (S) _____
MFG ORDER NO. _____

| YOUR ORDER | kW · POLES | VOLT | HERTZ | MASS kg/UNIT | STYLE NO. |
|------------|------------|------|-------|--------------|-----------|
| | 11kW 4P | 380V | 50Hz | 100 | |

| IE Code-Rated Eff | | |
|-------------------|----|-----------|
| 11kW | 4P | IE3-92.3% |



SECTION AA



PLANE VIEW OF FOOT

| RATING | TH. CLASS | AMB. TEMP | BEARINGS | | NO. OF TERMINALS | VIEWED FROM DRIVE END | | COLOUR | KD |
|--------|-----------|-----------|-----------|---------------|------------------|-------------------------|----------|------------|---------------|
| | | | LOAD SIDE | OPPOSITE SIDE | | DIRECT. OF TERMINAL BOX | ROTATION | | |
| S1 | 130 (B) | 40° C | 6309ZZ | 6308ZZ | 6 | A (LEFT) | CCW | MUNSELL N7 | PF1 1/4 SCREW |

| | | |
|-------------------|-------|----------|
| | DRAWN | APPROVED |
| SCALE NTS | | |
| DATE MAR. 08. '19 | | |

CAD(2D)

MITSUBISHI ELECTRIC CORP., JAPAN
NAGOYA WORKS

| | | | |
|--------|--|--|--|
| CHANGE | | | |
| | | | |
| | | | |

図面
番号
NO. **BD39329-***