

MOTOR SPECIFICATION SHEET

MODEL : SF-PRF 0.75kW 4P

USED FOR : 380V 50Hz

MANUFACTURER : MITSUBISHI ELECTRIC CORPORATION

DESCRIPTION	DETAIL
PHASE	3
MODEL NAME	SF-PRF
RATED OUTPUT	0.75 kW
POLE	4
CODE	
OUTLINE DRAWING NO.	BD39177-*
RATED VOLTAGE (V)	380
RATED FREQUENCY (Hz)	50
RATED CURRENT (A)	1.8
RATED SPEED (min ⁻¹)	1410
RATED EFFICIENCY	83.5%
EFFICIENCY CLASS	IE3
THERMAL CLASS	120 (E)
RATING	S1 (CONTINUOUS)
ENCLOSURE CONSTRUCTION	TOTALLY ENCLOSED FAN COOLED
DEGREES OF PROTECTION	IP44
METHOD OF COOLING	IC411
FRAME NO.	80M
WEIGHT (kg)	16
STANDARD	JIS C 4213, JEC-2137-2000
INSTALLATION	FLANGE MOUNTED (HORIZONTAL)
ROTATION	CCW (VIEWED FROM SHAFT END)
BEARING	LOAD SIDE : 6204ZZ
	OPPOSITE SIDE : 6204ZZ
BEARING GREASE	UREA GREASE
NOISE (dB.A)*	49
VIBRATION	V15
CIRCUMSTANCE CONDITION	AMBIENT TEMPERATURE : -30 ~ +40°C
	AMBIENT HUMIDITY : 100% RH (NO CONDENSATION)
	ABOVE SEA LEVEL : 1000m OR BELOW
	ENVIRONMENT : NO CORROSIVE/EXPLOSIVE GAS, NO STEAM OR CONDENSATION, MINIMAL DUST.
COLOR	MUNSELL N7 (GRAY)
TERMINAL BOX	NO. OF LEAD WIRES : 3
	SOURCE CONNECTION : TERMINAL BLOCK
SHAFT SWING	≤0.03mm
MATERIAL	FRAME : STEEL PLATE
	BRACKET LOAD SIDE : CAST IRON
	OPPOSITE SIDE : ALUMINIUM
	SHAFT : CARBON STEEL
	STATOR CORE : ELECTRICAL STEEL
	WIRE : ENAMELLED COPPER MAGNET WIRE
	ROTOR CORE : ELECTRICAL STEEL
	CONDUCTOR : ALUMINIUM
	TERMINAL BOX : STEEL PLATE
PAINTING : ACRYLIC RESIN	
PRODUCTION COUNTRY	JAPAN

*Value indicates representative value, not guaranteed value.

Specifications subject to change without notice.

SPECIFICATION SHEET NO.				
SS-M-8676-A				

TYPE SF-PRF SUPER-LINE THREE PHASE INDUCTION MOTOR

OUT LINE
DIMENSION IN mm

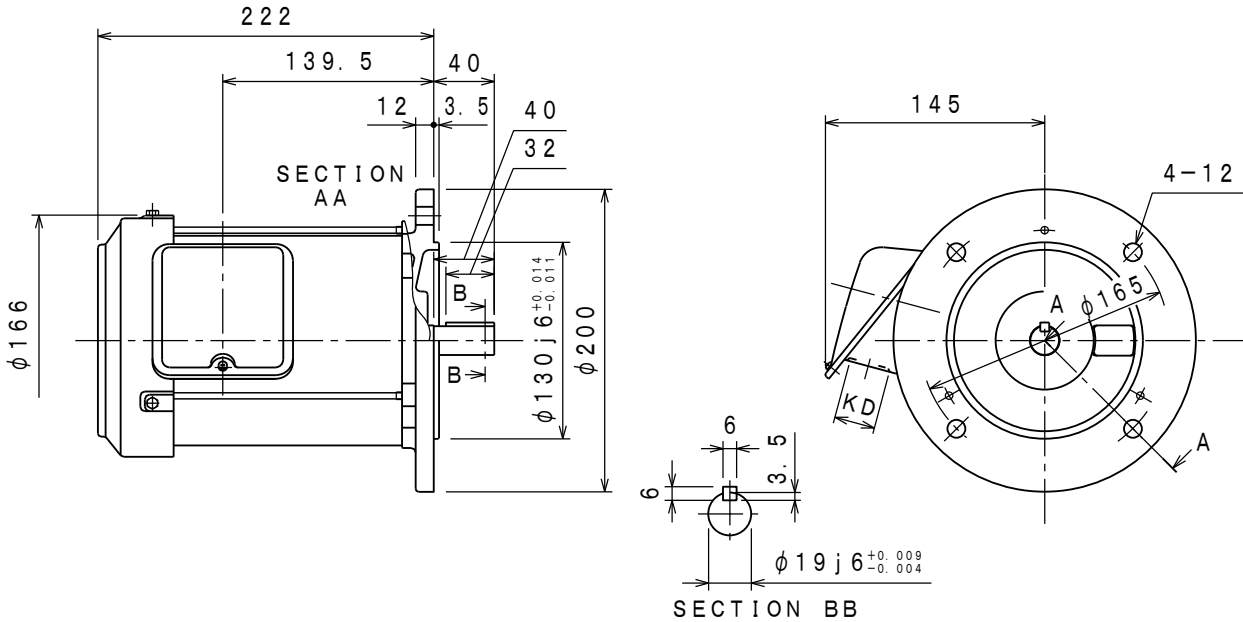
INDOOR USE TYPE

TOTALLY ENCLOSED FAN COOLED
PROTECTION DEGREE IP44 , COOLING METHOD IC411
FLANGE NO. FF165 FRAME NO. 80M

CUSTOMER _____
USER _____
FOR _____
CUST'S ORDER NO. _____
QUANTITY _____ UNIT (S) _____
MFG ORDER NO. _____

YOUR ORDER	kW · POLES	VOLT	HERTZ	MASS kg/UNIT	STYLE NO.
	0.75kW 4P	380V	50Hz	16	

IE Code-Rated Eff	
0.75kW 4P	IE3-83.5%



	RATING	TH. CLASS	AMB. TEMP	BEARINGS		NO. OF TERMINALS	VIEWED FROM DRIVE END		COLOUR	KD
				LOAD SIDE	OPPOSITE SIDE		DIRECT. OF TERMINAL BOX	ROTATION		
	S1	120 (E)	40° C	6204ZZ	6204ZZ	3	A (LEFT)	CCW	MUNSELL N7	φ 27

	DRAWN	APPROVED
SCALE NTS		
DATE FEB. 15. '19		

(和文: BD26903)

MITSUBISHI ELECTRIC CORP., JAPAN
NAGOYA WORKS

CHANGE			

図面
番号
NO. **BD39177-***

CAD(2D)