

**MOTOR SPECIFICATION SHEET**

MODEL : SF-JV 25HP 6P (HT)

USED FOR : STANDARD

DESCRIPTION	DETAIL				
PHASE	3				
MODEL NAME	SF-JV				
RATED OUTPUT, HP (kW)	25 (18.5)				
POLE	6				
CODE	MEATH CODE : 1M002V-601850JVND1				
OUTLINE DRAWING NO.	OMM34O137-D				
RATED VOLTAGE (V)	380	415	380	440	
RATED FREQUENCY (Hz)	50	50	60	60	
RATED CURRENT (A)	39	37	38	33	
RATED SPEED (min <sup>-1</sup> )	960	970	1150	1170	
THERMAL CLASS	155(F)				
RATING	S1 (CONTINUOUS)				
ENCLOSURE CONSTRUCTION	TOTALLY ENCLOSED FAN COOLED				
DEGREES OF PROTECTION	IP55				
METHOD OF COOLING	IC411				
FRAME NO.	180L				
WEIGHT (kg)	225				
STANDARD	IEC 60034-1, JEC-2137-2000				
INSTALLATION	FLANGE MOUNTED (VERTICAL)				
ROTATION	CCW (VIEWED FROM SHAFT END)				
BEARING	LOAD SIDE	: 6312ZZ			
	OPPOSITE SIDE	: 6310ZZ			
BEARING GREASE	UREA GREASE				
NOISE (db.A)	77				
VIBRATION	V15				
CIRCUMSTANCE	AMBIENT TEMPERATURE : -20 ~ +40°C				
CONDITION	AMBIENT HUMIDITY : 95%RH OR LESS				
	ABOVE SEA LEVEL : 1000m OR LESS				
	ENVIRONMENT : NO BURSTING/EROSIVE GAS OR VAPOR				
COLOR	MUNSELL N5.5 (GRAY)				
TERMINAL BOX	NO. OF LEAD WIRES	: 6			
	SOURCE CONNECTION	: LEAD WIRES			
INSULATION RESISTANCE	BY DC 500V MEGGER - ≥100MΩ				
DIELECTRIC TEST	AC 50Hz 1800V - 1min. (Based on rated voltage 380V)				
SHAFT SWING	≤0.05mm				
MATERIAL	FRAME	: CAST IRON			
	BRACKET LOAD SIDE	: CAST IRON (FLANGE)			
	OPPOSITE SIDE	: CAST IRON			
	SHAFT	: CARBON STEEL			
	STATOR CORE	: ELECTRICAL STEEL			
	WIRE	: ENAMELLED COPPER MAGNET WIRE			
	INSULATOR	: POLYESTER FILM SATURATED WITH RESIN			
	VARNISH	: EPOXY DENATURALIZATION POLYESTER			
	ROTOR CORE	: ELECTRICAL STEEL			
	CONDUCTOR	: ALUMINIUM			
	TERMINAL BOX	: STEEL PLATE			
	PAINTING	: POLYURETHANE RESIN			
PRODUCTION COUNTRY	THAILAND				

Specifications subject to change without notice.

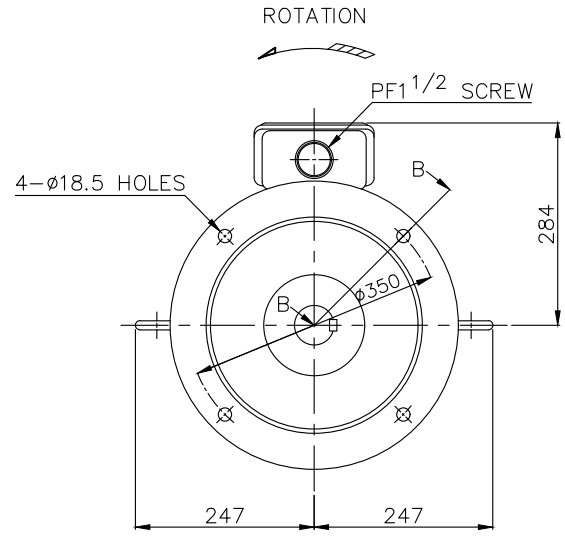
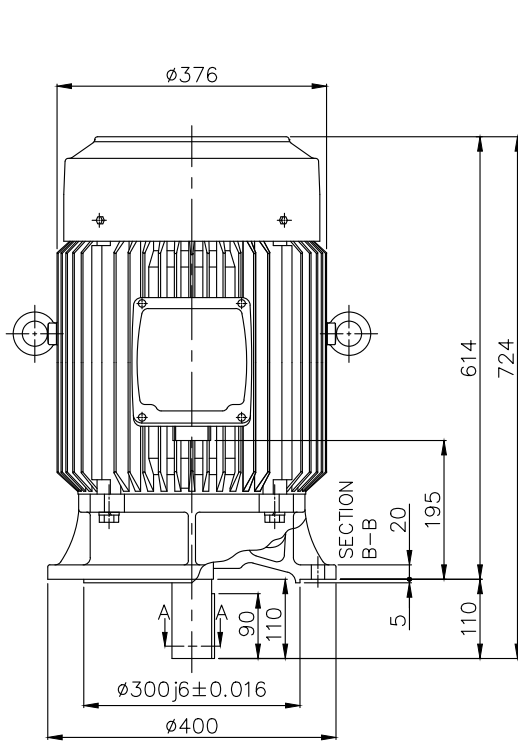
**SPECIFICATION SHEET NO.**

SS-M-3295-A

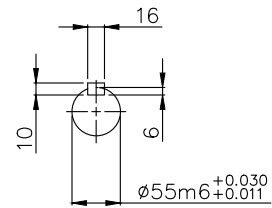
# MODEL SF-JV THREE PHASE INDUCTION MOTOR OUTLINE DRAWING

TOTALLY ENCLOSED FAN COOLED  
 DEGREES OF PROTECTION IP55  
 DUST & WATER JET PROOF

CUSTOMER \_\_\_\_\_  
 USER \_\_\_\_\_  
 FOR \_\_\_\_\_  
 CUSTOMER'S ORDER NO. \_\_\_\_\_  
 QUANTITY \_\_\_\_\_  
 MFG. ORDER NO. \_\_\_\_\_



BOTTOM VIEW OF SHAFT END

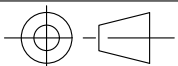


SECTION A-A

YOUR ORDER	FRAME SIZE	RATING	TH. CLASS	AMB. TEMP.	BEARINGS		COLOR	DIRECTION OF ROTATION (VIEWED FROM SHAFT END)	NO. OF LEAD WIRES	REMARKS
					LOAD SIDE	OPP. SIDE				
	180L	S1 (CONT.)	155(F)	40°C	6312ZZC3 (2P)	6312ZZ (4P,6P)	GRAY (MUNSELL N5.5)	CCW	6	

YOUR ORDER	OUTPUT		POLES	VOLT	HERTZ	REMARKS
	HP	kW				
	40	30	2	220/380/415	50	LT
				220/440	60	
	40	30	4	220/380/415	50	LT
				220/440	60	
	25	18.5	6	220/380/415	50	LT
				220/440	60	
	30	22	6	220/380/415	50	LT
				220/440	60	
	40	30	2	380/415	50	HT
				380/440	60	
	40	30	4	380/415	50	HT
				380/440	60	
	25	18.5	6	380/415	50	HT
				380/440	60	
	30	22	6	380/415	50	HT
				380/440	60	

mitsubishi electric automation (thailand) co., ltd.



DIMENSION IN mm.

SCALE : NTS

OUTLINE DRAWING NO.

0 M M 3 4 0 1 3 7

REV.

D