

**MOTOR SPECIFICATION SHEET**

MODEL : SF-JV 20HP 6P (LT)

USED FOR : STANDARD

DESCRIPTION	DETAIL					
PHASE	3					
MODEL NAME	SF-JV					
RATED OUTPUT, HP (kW)	20 (15)					
POLE	6					
CODE	MEATH CODE : 1M002V-601500JV FY0					
OUTLINE DRAWING NO.	OMM34O136-B					
RATED VOLTAGE (V)	220	380	415	220	440	
RATED FREQUENCY (Hz)	50	50	50	60	60	
RATED CURRENT (A)	55	32	32	54	28	
RATED SPEED (min <sup>-1</sup> )	960	960	970	1150	1170	
THERMAL CLASS	155(F)					
RATING	S1 (CONTINUOUS)					
ENCLOSURE CONSTRUCTION	TOTALLY ENCLOSED FAN COOLED					
DEGREES OF PROTECTION	IP55					
METHOD OF COOLING	IC411					
FRAME NO.	180M					
WEIGHT (kg)	200					
STANDARD	IEC 60034-1, JEC-2137-2000					
INSTALLATION	FLANGE MOUNTED (VERTICAL)					
ROTATION	CCW (VIEWED FROM SHAFT END)					
BEARING	LOAD SIDE : 6311ZZ OPPOSITE SIDE : 6310ZZ					
BEARING GREASE	UREA GREASE					
NOISE (db.A)	74					
VIBRATION	V15					
CIRCUMSTANCE CONDITION	AMBIENT TEMPERATURE : -20 ~ +40°C AMBIENT HUMIDITY : 95%RH OR LESS ABOVE SEA LEVEL : 1000m OR LESS ENVIRONMENT : NO BURSTING/EROSIVE GAS OR VAPOR					
COLOR	MUNSELL N5.5 (GRAY)					
TERMINAL BOX	NO. OF LEAD WIRES : 6 SOURCE CONNECTION : LEAD WIRES					
INSULATION RESISTANCE	BY DC 500V MEGGER - ≥100MΩ					
DIELECTRIC TEST	AC 50Hz 1800V - 1min. (Based on rated voltage 380V)					
SHAFT SWING	≤0.05mm					
MATERIAL	FRAME : CAST IRON BRACKET LOAD SIDE : CAST IRON (FLANGE) OPPOSITE SIDE : CAST IRON SHAFT : CARBON STEEL STATOR CORE : ELECTRICAL STEEL WIRE : ENAMELLED COPPER MAGNET WIRE INSULATOR : POLYESTER FILM SATURATED WITH RESIN VARNISH : EPOXY DENATURALIZATION POLYESTER ROTOR CORE : ELECTRICAL STEEL CONDUCTOR : ALUMINIUM TERMINAL BOX : STEEL PLATE PAINTING : POLYURETHANE RESIN					
PRODUCTION COUNTRY	THAILAND					

Specifications subject to change without notice.

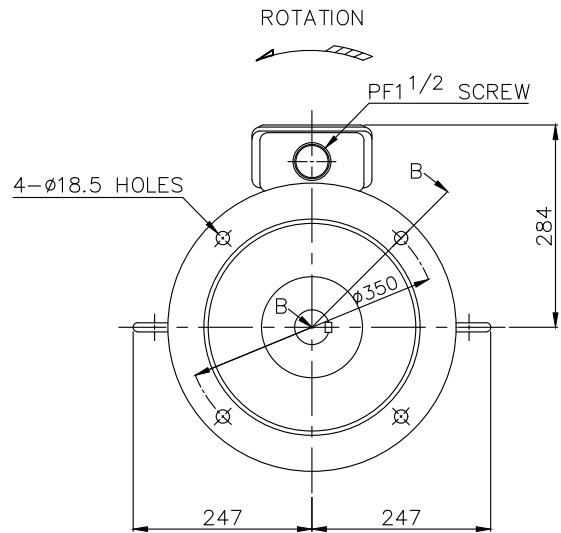
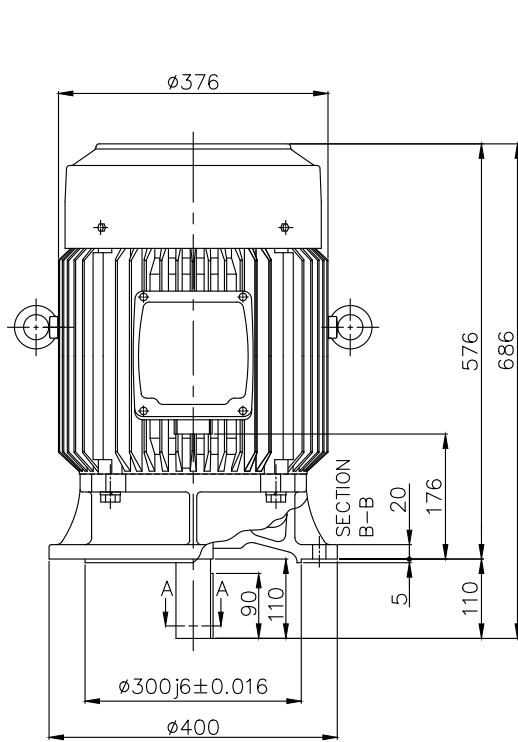
**SPECIFICATION SHEET NO.**

SS-M-3288-A

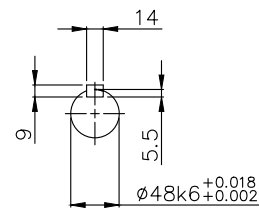
# MODEL SF-JV THREE PHASE INDUCTION MOTOR OUTLINE DRAWING

TOTALLY ENCLOSED FAN COOLED  
 DEGREES OF PROTECTION IP55  
 DUST & WATER JET PROOF

CUSTOMER \_\_\_\_\_  
 USER \_\_\_\_\_  
 FOR \_\_\_\_\_  
 CUSTOMER'S ORDER NO. \_\_\_\_\_  
 QUANTITY \_\_\_\_\_  
 MFG. ORDER NO. \_\_\_\_\_



BOTTOM VIEW OF SHAFT END

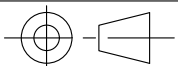


SECTION A-A

YOUR ORDER	FRAME SIZE	RATING	TH. CLASS	AMB. TEMP.	BEARINGS		COLOR	DIRECTION OF ROTATION (VIEWED FROM SHAFT END)	NO. OF LEAD WIRES	REMARKS
					LOAD SIDE	OPP. SIDE				
	180M	S1 (CONT.)	155(F)	40°C	6311ZZ	6310ZZ	GRAY (MUNSELL N5.5)	CCW	6	

YOUR ORDER	OUTPUT		POLES	VOLT	HERTZ	REMARKS
	HP	kW				
	30	22	2	220/380/415	50	LT
				220/440	60	
	25	18.5	4	220/380/415	50	LT
				220/440	60	
	30	22	4	220/380/415	50	LT
				220/440	60	
	20	15	6	220/380/415	50	LT
				220/440	60	
	30	22	2	380/415	50	HT
				380/440	60	
	25	18.5	4	380/415	50	HT
				380/440	60	
	30	22	4	380/415	50	HT
				380/440	60	
	20	15	6	380/415	50	HT
				380/440	60	

MITSUBISHI ELECTRIC AUTOMATION (THAILAND) CO., LTD.



DIMENSION IN mm.

SCALE : NTS

OUTLINE DRAWING NO.

0 M M 3 4 0 1 3 6

REV.

B