

MOTOR SPECIFICATION SHEET

MODEL : SF-JRV 5HP 6P (LT)

USED FOR : STANDARD

DESCRIPTION	DETAIL					
PHASE	3					
MODEL NAME	SF-JRV					
RATED OUTPUT, HP (kW)	5 (3.7)					
POLE	6					
CODE	MEATH CODE : 1M002V-600370LFFY0					
OUTLINE DRAWING NO.	OMM24O158-B					
RATED VOLTAGE (V)	220	380	415	220	440	
RATED FREQUENCY (Hz)	50	50	50	60	60	
RATED CURRENT (A)	15.2	8.8	8.4	14.2	7.8	
RATED SPEED (min ⁻¹)	940	940	950	1130	1150	
THERMAL CLASS	155(F)					
RATING	S1 (CONTINUOUS)					
ENCLOSURE CONSTRUCTION	TOTALLY ENCLOSED FAN COOLED					
DEGREES OF PROTECTION	IP55					
METHOD OF COOLING	IC411					
FRAME NO.	132S					
WEIGHT (kg)	58					
STANDARD	IEC 60034-1, JEC-2137-2000					
INSTALLATION	FLANGE MOUNTED (VERTICAL)					
ROTATION	CCW (VIEWED FROM SHAFT END)					
BEARING	LOAD SIDE : 6308ZZ OPPOSITE SIDE : 6207ZZ					
BEARING GREASE	UREA GREASE					
NOISE (db.A)	65					
VIBRATION	V10					
CIRCUMSTANCE CONDITION	AMBIENT TEMPERATURE : -20 ~ +40°C AMBIENT HUMIDITY : 95%RH OR LESS ABOVE SEA LEVEL : 1000m OR LESS ENVIRONMENT : NO BURSTING/EROSIVE GAS OR VAPOR					
COLOR	MUNSELL N5.5 (GRAY)					
TERMINAL BOX	NO. OF LEAD WIRES : 6 SOURCE CONNECTION : TERMINAL BLOCK					
INSULATION RESISTANCE	BY DC 500V MEGGER - ≥100MΩ					
DIELECTRIC TEST	AC 50Hz 1800V - 1min. (Based on rated voltage 380V)					
SHAFT SWING	≤0.03mm					
MATERIAL	FRAME : STEEL PLATE BRACKET LOAD SIDE : CAST IRON (FLANGE) OPPOSITE SIDE : ALUMINIUM SHAFT : CARBON STEEL STATOR CORE : ELECTRICAL STEEL WIRE : ENAMELLED COPPER MAGNET WIRE INSULATOR : POLYESTER FILM SATURATED WITH RESIN VARNISH : EPOXY DENATURALIZATION POLYESTER ROTOR CORE : ELECTRICAL STEEL CONDUCTOR : ALUMINIUM TERMINAL BOX : STEEL PLATE PAINTING : POLYURETHANE RESIN					
PRODUCTION COUNTRY	THAILAND					

Specifications subject to change without notice.

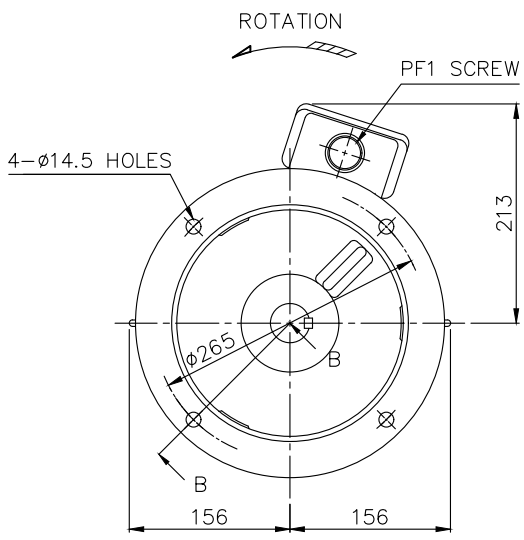
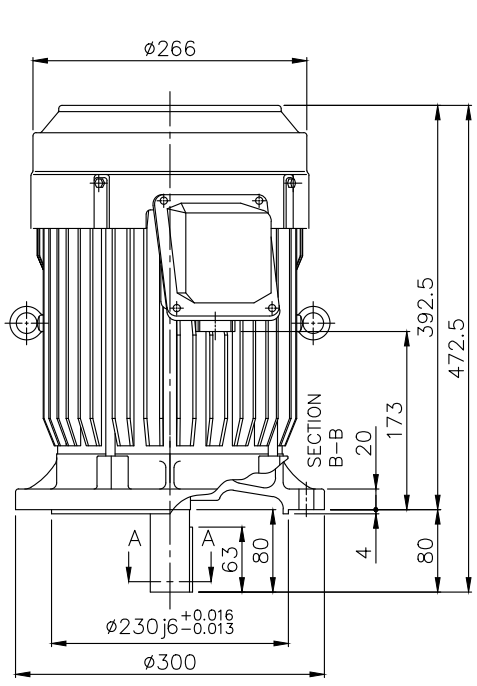
SPECIFICATION SHEET NO.

SS-M-2284-A

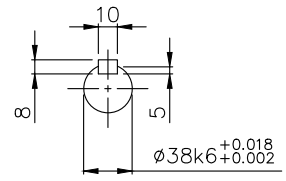
MODEL SF-JRV THREE PHASE INDUCTION MOTOR OUTLINE DRAWING

TOTALLY ENCLOSED FAN COOLED
 DEGREES OF PROTECTION IP55
 DUST & WATER JET PROOF

CUSTOMER _____
 USER _____
 FOR _____
 CUSTOMER'S ORDER NO. _____
 QUANTITY _____
 MFG. ORDER NO. _____



BOTTOM VIEW OF SHAFT END



SECTION A-A

YOUR ORDER	FRAME SIZE	RATING	TH. CLASS	AMB. TEMP.	BEARINGS		COLOR	DIRECTION OF ROTATION (VIEWED FROM SHAFT END)	NO. OF LEAD WIRES	REMARKS
					LOAD SIDE	OPP. SIDE				
	132S	S1 (CONT.)	155(F)	40°C	6308ZZ	6207ZZ	GRAY (MUNSELL N5.5)	CCW	6	

YOUR ORDER	OUTPUT		POLES	VOLT	HERTZ	REMARKS
	HP	kW				
	7.5	5.5	2	220/380/415	50	LT
				220/440	60	
	10	7.5	2	220/380/415	50	LT
				220/440	60	
	7.5	5.5	4	220/380/415	50	LT
				220/440	60	
	5	3.7	6	220/380/415	50	LT
				220/440	60	
	7.5	5.5	2	380/415	50	HT
				380/440	60	
	10	7.5	2	380/415	50	HT
				380/440	60	
	7.5	5.5	4	380/415	50	HT
				380/440	60	
	5	3.7	6	380/415	50	HT
				380/440	60	

MITSUBISHI ELECTRIC AUTOMATION (THAILAND) CO., LTD.

		OUTLINE DRAWING NO.	REV.
	DIMENSION IN mm.	O M M 2 4 0 1 5 8	B
SCALE : NTS			