

MOTOR SPECIFICATION SHEET

MODEL : SF-J 75HP 2P (LT)

USED FOR : STANDARD

DESCRIPTION	DETAIL				
PHASE	3				
MODEL NAME	SF-J				
RATED OUTPUT, HP (kW)	75 (55)				
POLE	2				
CODE	MEATH CODE : 1M002F-205500J-FY0				
OUTLINE DRAWING NO.	OMM44O007-C				
RATED VOLTAGE (V)	220	380	415	220	440
RATED FREQUENCY (Hz)	50	50	50	60	60
RATED CURRENT (A)	178	103	101	175	89
RATED SPEED (min ⁻¹)	2930	2930	2940	3520	3540
THERMAL CLASS	155(F)				
RATING	S1 (CONTINUOUS)				
ENCLOSURE CONSTRUCTION	TOTALLY ENCLOSED FAN COOLED				
DEGREES OF PROTECTION	IP55				
METHOD OF COOLING	IC411				
FRAME NO.	225S				
WEIGHT (kg)	315				
STANDARD	IEC 60034-1, JEC-2137-2000				
INSTALLATION	FOOT MOUNTED				
ROTATION	CCW (VIEWED FROM SHAFT END)				
BEARING	LOAD SIDE : 6312ZZC3				
	OPPOSITE SIDE : 6312ZZC3				
BEARING GREASE	UREA GREASE				
NOISE (dB.A)	93				
VIBRATION	V15				
CIRCUMSTANCE CONDITION	AMBIENT TEMPERATURE : -20 ~ +40°C				
	AMBIENT HUMIDITY : 95%RH OR LESS				
	ABOVE SEA LEVEL : 1000m OR LESS				
	ENVIRONMENT : NO BURSTING/EROSIVE GAS OR VAPOR				
COLOR	MUNSELL N5.5 (GRAY)				
TERMINAL BOX	NO. OF LEAD WIRES : 6				
	SOURCE CONNECTION : LEAD WIRES				
INSULATION RESISTANCE	BY DC 500V MEGGER - ≥100MΩ				
DIELECTRIC TEST	AC 50Hz 1800V - 1min. (Based on rated voltage 380V)				
SHAFT SWING	≤0.05mm				
MATERIAL	FRAME : CAST IRON				
	BRACKET : CAST IRON				
	SHAFT : CARBON STEEL				
	STATOR CORE : ELECTRICAL STEEL				
	WIRE : ENAMELLED COPPER MAGNET WIRE				
	INSULATOR : POLYESTER FILM SATURATED WITH RESIN				
	VARNISH : EPOXY DENATURALIZATION POLYESTER				
	ROTOR CORE : ELECTRICAL STEEL				
	CONDUCTOR : ALUMINIUM				
	TERMINAL BOX : CAST IRON				
	PAINTING : POLYURETHANE RESIN				
PRODUCTION COUNTRY	THAILAND				

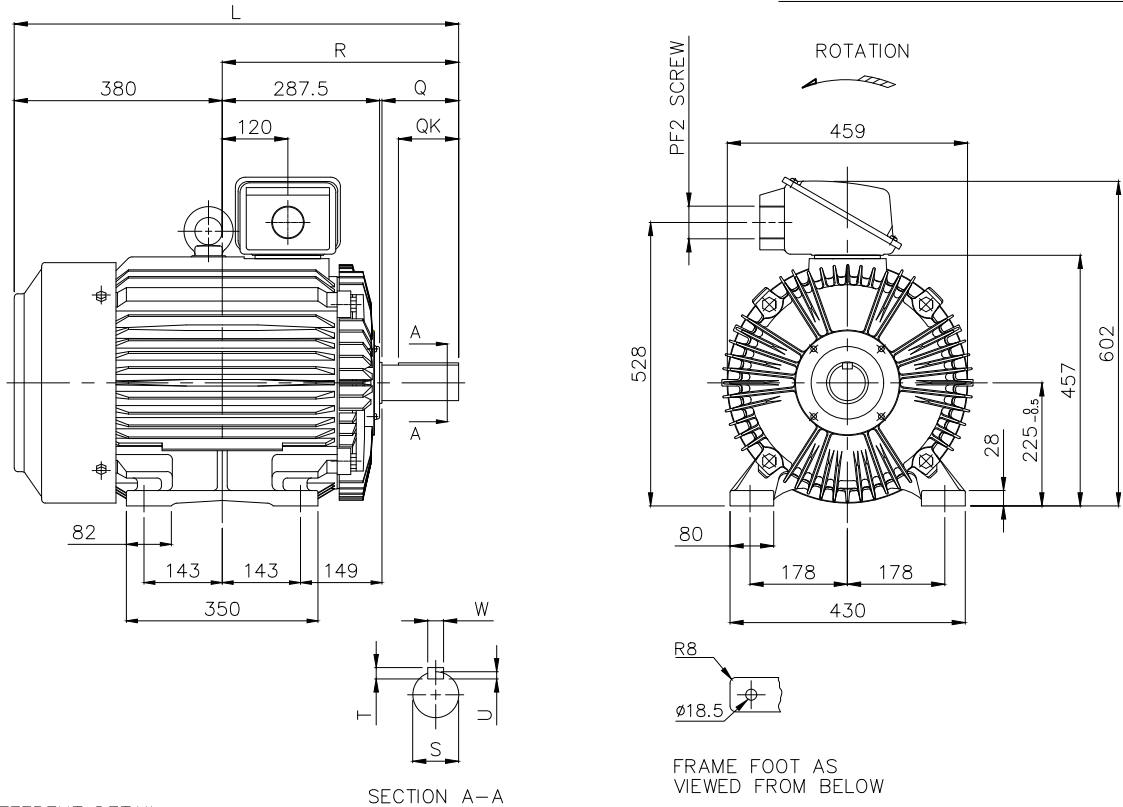
Specifications subject to change without notice.

SPECIFICATION SHEET NO.				
SS-M-4144-B				

MODEL SF-J THREE PHASE INDUCTION MOTOR OUTLINE DRAWING

TOTALLY ENCLOSED FAN COOLED
 DEGREES OF PROTECTION IP55
 DUST & WATER JET PROOF

CUSTOMER _____
 USER _____
 FOR _____
 CUSTOMER'S ORDER NO. _____
 QUANTITY _____
 MFG. ORDER NO. _____



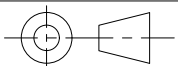
DIFFERENT DETAIL

POLE	BEARINGS		DIMENSION							
	LOAD SIDE	OPP. SIDE	L	Q	QK	R	S	T	U	W
2P	6312ZZC3	6312ZZC3	782	110	90	402	$\phi 55m6^{+0.030}_{+0.011}$	10	6	16
4P,6P	6315ZZ	6312ZZ	812	140	110	432	$\phi 65m6^{+0.030}_{+0.011}$	11	7	18

YOUR ORDER	FRAME SIZE	RATING	TH. CLASS	AMB. TEMP.	COLOR	DIRECTION OF ROTATION (VIEWED FROM SHAFT END)	NO. OF LEAD WIRES	REMARKS
	225S	S1 (CONT.)	155(F)	40°C	GRAY (MUNSELL N5.5)	CCW	6	

YOUR ORDER	OUTPUT		POLES	VOLT	HERTZ	REMARKS
	HP	kW				
	75	55	2	220/380/415	50	LT
				220/440	60	
	75	55	4	220/380/415	50	
				220/440	60	
	60	45	6	220/380/415	50	HT
				220/440	60	
	75	55	2	380/415	50	
				380/440	60	
	75	55	4	380/415	50	HT
				380/440	60	
	60	45	6	380/415	50	
				380/440	60	

MITSUBISHI ELECTRIC AUTOMATION (THAILAND) CO., LTD.



DIMENSION IN mm.

SCALE : NTS

OUTLINE DRAWING NO.

0 M M 4 4 0 0 0 7

REV.

C