

MOTOR SPECIFICATION SHEET

MODEL : SF-J 50HP 4P (LT)

USED FOR : STANDARD

DESCRIPTION	DETAIL				
PHASE	3				
MODEL NAME	SF-J				
RATED OUTPUT, HP (kW)	50 (37)				
POLE	4				
CODE	MEATH CODE : 1M002F-403750J-FY0				
OUTLINE DRAWING NO.	OMM44O026-C				
RATED VOLTAGE (V)	220	380	415	220	440
RATED FREQUENCY (Hz)	50	50	50	60	60
RATED CURRENT (A)	120	69	65	120	60
RATED SPEED (min ⁻¹)	1450	1450	1460	1750	1770
THERMAL CLASS	155(F)				
RATING	S1 (CONTINUOUS)				
ENCLOSURE CONSTRUCTION	TOTALLY ENCLOSED FAN COOLED				
DEGREES OF PROTECTION	IP55				
METHOD OF COOLING	IC411				
FRAME NO.	200L				
WEIGHT (kg)	285				
STANDARD	IEC 60034-1, JEC-2137-2000				
INSTALLATION	FOOT MOUNTED				
ROTATION	CCW (VIEWED FROM SHAFT END)				
BEARING	LOAD SIDE : 6313ZZ				
	OPPOSITE SIDE : 6311ZZ				
BEARING GREASE	UREA GREASE				
NOISE (dB.A)	85				
VIBRATION	V15				
CIRCUMSTANCE CONDITION	AMBIENT TEMPERATURE : -20 ~ +40°C				
	AMBIENT HUMIDITY : 95%RH OR LESS				
	ABOVE SEA LEVEL : 1000m OR LESS				
	ENVIRONMENT : NO BURSTING/EROSIVE GAS OR VAPOR				
COLOR	MUNSELL N5.5 (GRAY)				
TERMINAL BOX	NO. OF LEAD WIRES : 6				
	SOURCE CONNECTION : LEAD WIRES				
INSULATION RESISTANCE	BY DC 500V MEGGER - ≥100MΩ				
DIELECTRIC TEST	AC 50Hz 1800V - 1min. (Based on rated voltage 380V)				
SHAFT SWING	≤0.05mm				
MATERIAL	FRAME : CAST IRON				
	BRACKET : CAST IRON				
	SHAFT : CARBON STEEL				
	STATOR CORE : ELECTRICAL STEEL				
	WIRE : ENAMELLED COPPER MAGNET WIRE				
	INSULATOR : POLYESTER FILM SATURATED WITH RESIN				
	VARNISH : EPOXY DENATURALIZATION POLYESTER				
	ROTOR CORE : ELECTRICAL STEEL				
	CONDUCTOR : ALUMINIUM				
	TERMINAL BOX : CAST IRON				
PAINTING : POLYURETHANE RESIN					
PRODUCTION COUNTRY	THAILAND				

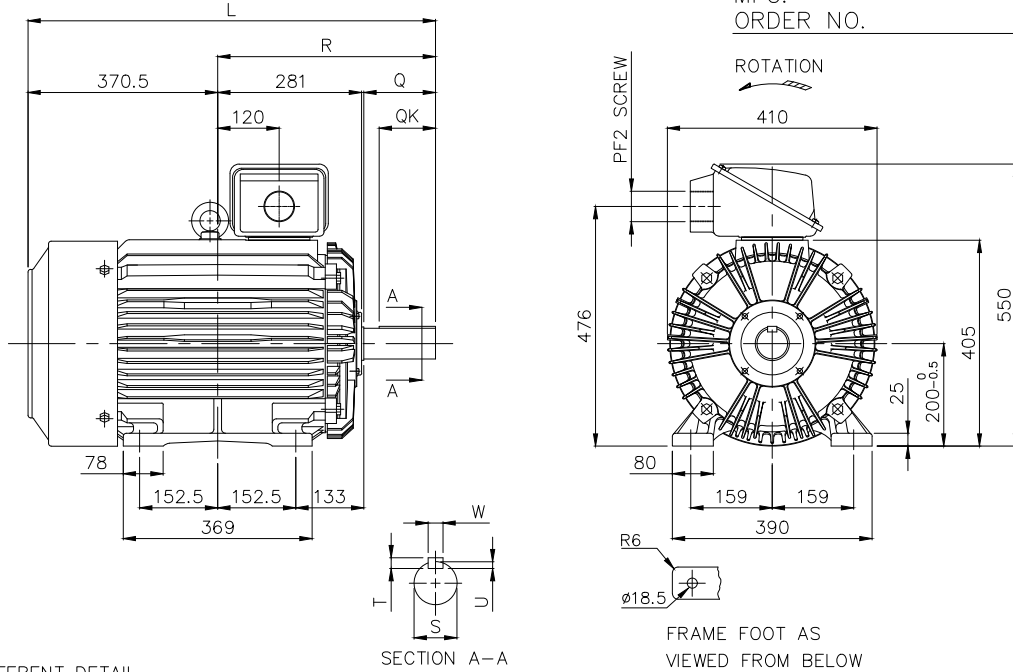
Specifications subject to change without notice.

SPECIFICATION SHEET NO.				
SS-M-4150-B				

MODEL SF-J THREE PHASE INDUCTION MOTOR OUTLINE DRAWING

TOTALLY ENCLOSED FAN COOLED
 DEGREES OF PROTECTION IP55
 DUST & WATER JET PROOF

CUSTOMER _____
 USER _____
 FOR _____
 CUSTOMER'S ORDER NO. _____
 QUANTITY _____
 MFG. ORDER NO. _____



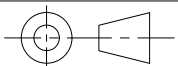
DIFFERENT DETAIL

POLE	BEARINGS		DIMENSION							
	LOAD SIDE	OPP. SIDE	L	Q	QK	R	S	T	U	W
2P	6312ZZC3	6311ZZC3	766	110	90	395.5	ø55m6 ^{+0.030} / _{+0.011}	10	6	16
4P,6P	6313ZZ	6311ZZ	796	140	110	425.5	ø60m6 ^{+0.030} / _{+0.011}	11	7	18

YOUR ORDER	FRAME SIZE	RATING	TH. CLASS	AMB. TEMP.	COLOR	DIRECTION OF ROTATION (VIEWED FROM SHAFT END)	NO. OF LEAD WIRES	REMARKS
	200L	S1 (CONT.)	155(F)	40°C	GRAY (MUNSELL N5.5)	CCW	6	

YOUR ORDER	OUTPUT		POLES	VOLT	HERTZ	REMARKS
	HP	kW				
LT	50	37	2	220/380/415	50	
				220/440	60	
	60	45	2	220/380/415	50	
				220/440	60	
	50	37	4	220/380/415	50	
				220/440	60	
60	45	4	220/380/415	50		
			220/440	60		
HT	40	30	6	220/380/415	50	
				220/440	60	
	50	37	6	220/380/415	50	
				220/440	60	
	50	37	2	380/415	50	
				380/440	60	
60	45	2	380/415	50		
			380/440	60		
50	37	4	380/415	50		
			380/440	60		
60	45	4	380/415	50		
			380/440	60		
40	30	6	380/415	50		
			380/440	60		
50	37	6	380/415	50		
			380/440	60		

MITSUBISHI ELECTRIC AUTOMATION (THAILAND) CO., LTD.



DIMENSION IN mm.

SCALE : NTS

OUTLINE DRAWING NO.

0 M M 4 4 0 0 2 6

REV.

C