

MOTOR SPECIFICATION SHEET

MODEL : SF-J 30HP 6P (LT)

USED FOR : STANDARD

DESCRIPTION	DETAIL					
PHASE	3					
MODEL NAME	SF-J					
RATED OUTPUT, HP (kW)	30 (22)					
POLE	6					
CODE	MEATH CODE : 1M002F-602200J-FY1					
OUTLINE DRAWING NO.	OMM34O024-B					
RATED VOLTAGE (V)	220	380	415	220	440	
RATED FREQUENCY (Hz)	50	50	50	60	60	
RATED CURRENT (A)	78	45	43	76	39	
RATED SPEED (min ⁻¹)	960	960	970	1150	1170	
THERMAL CLASS	155(F)					
RATING	S1 (CONTINUOUS)					
ENCLOSURE CONSTRUCTION	TOTALLY ENCLOSED FAN COOLED					
DEGREES OF PROTECTION	IP55					
METHOD OF COOLING	IC411					
FRAME NO.	180L					
WEIGHT (kg)	235					
STANDARD	IEC 60034-1, JEC-2137-2000					
INSTALLATION	FOOT MOUNTED					
ROTATION	CCW (VIEWED FROM SHAFT END)					
BEARING	LOAD SIDE : 6312ZZ					
	OPPOSITE SIDE : 6310ZZ					
BEARING GREASE	UREA GREASE					
NOISE (dB.A)	79					
VIBRATION	V15					
CIRCUMSTANCE CONDITION	AMBIENT TEMPERATURE : -20 ~ +40°C					
	AMBIENT HUMIDITY : 95%RH OR LESS					
	ABOVE SEA LEVEL : 1000m OR LESS					
	ENVIRONMENT : NO BURSTING/EROSIVE GAS OR VAPOR					
COLOR	MUNSELL N5.5 (GRAY)					
TERMINAL BOX	NO. OF LEAD WIRES : 6					
	SOURCE CONNECTION : LEAD WIRES					
INSULATION RESISTANCE	BY DC 500V MEGGER - ≥100MΩ					
DIELECTRIC TEST	AC 50Hz 1800V - 1min. (Based on rated voltage 380V)					
SHAFT SWING	≤0.05mm					
MATERIAL	FRAME : CAST IRON					
	BRACKET : CAST IRON					
	SHAFT : CARBON STEEL					
	STATOR CORE : ELECTRICAL STEEL					
	WIRE : ENAMELLED COPPER MAGNET WIRE					
	INSULATOR : POLYESTER FILM SATURATED WITH RESIN					
	VARNISH : EPOXY DENATURALIZATION POLYESTER					
	ROTOR CORE : ELECTRICAL STEEL					
	CONDUCTOR : ALUMINIUM					
	TERMINAL BOX : STEEL PLATE					
PAINTING : POLYURETHANE RESIN						
PRODUCTION COUNTRY	THAILAND					

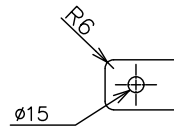
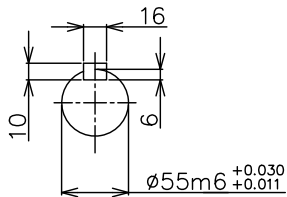
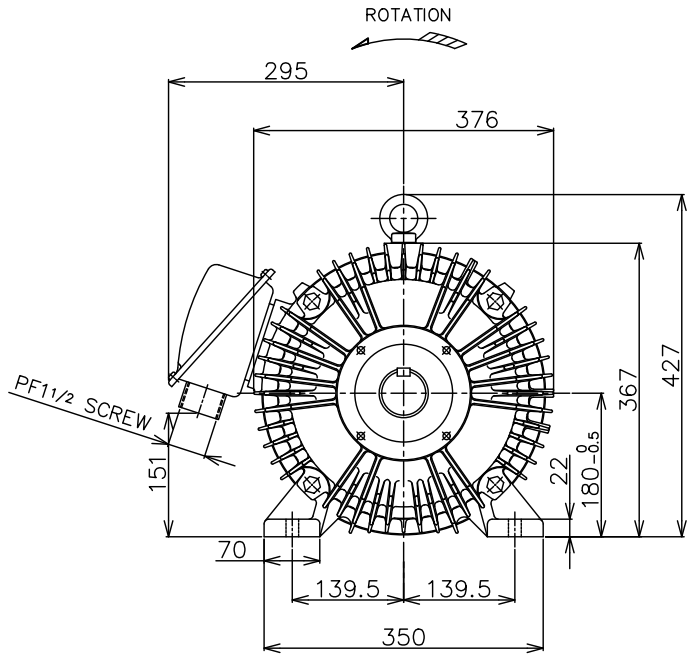
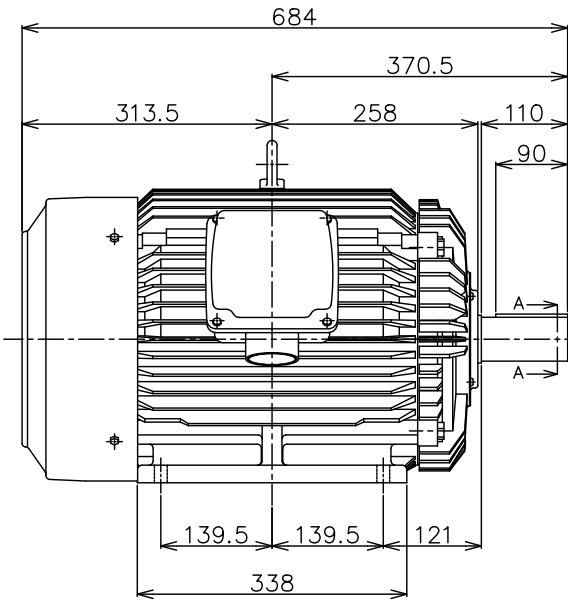
Specifications subject to change without notice.

SPECIFICATION SHEET NO.				
SS-M-3256-A				

MODEL SF-J THREE PHASE INDUCTION MOTOR OUTLINE DRAWING

TOTALLY ENCLOSED FAN COOLED
DEGREES OF PROTECTION IP55
DUST & WATER JET PROOF

CUSTOMER _____
USER _____
FOR _____
CUSTOMER'S ORDER NO. _____
QUANTITY _____
MFG. ORDER NO. _____



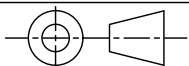
SECTION A-A

FRAME FOOT AS VIEWED FROM BELOW

FRAME SIZE	RATING	TH. CLASS	AMB. TEMP.	BEARINGS		COLOR	DIRECTION OF ROTATION (VIEWED SHAFT END)	NO. OF LEAD WIRES	REMARKS
				LOAD SIDE	OPP. SIDE				
180L	S1 (CONT.)	155(F)	40° C	6312ZZC3 (2 POLE)	6312ZZ (4.6 POLE) 6310ZZ	GRAY (MUNSELL N5.5)	CCW	6	

YOUR ORDER	OUTPUT		POLES	VOLT	HERTZ	REMARKS
	HP	kW				
	40	30	2	220/380/415	50	LT
				220/440	60	
	40	30	4	220/380/415	50	LT
				220/440	60	
	25	18.5	6	220/380/415	50	LT
				220/440	60	
	30	22	6	220/380/415	50	LT
				220/440	60	
	40	30	2	380/415	50	HT
				380/440	60	
	40	30	4	380/415	50	HT
				380/440	60	
	25	18.5	6	380/415	50	HT
				380/440	60	
	30	22	6	380/415	50	HT
				380/440	60	

MITSUBISHI ELECTRIC AUTOMATION (THAILAND) CO., LTD.



DIMENSION IN mm.
SCALE : NTS

OUTLINE DRAWING NO.

0 M M 3 4 0 0 2 4

REV.

B