



**MITSUBISHI ELECTRIC AUTOMATION (THAILAND) CO., LTD.**

Bang-Chan Industrial Estate No. 111 Moo 4, Serithai Rd., T.Kannayao, A.Kannayao, BKK 10230 Thailand  
Tel: (66) 2517-1326, (66) 2919-9873 Fax: (66) 2517-1328 URL: www.meath-co.com E-mail: support@meath.co.th

**บริษัท มิตซูบิชิ อิเล็กทริก ออโตเมชัน (ประเทศไทย) จำกัด**

นิติบุคคลสาขารวมบางชั้น เลขที่ 111 หมู่ 4 ถนนเสรีไทย แขวงคันนายาว เขตคันนายาว กทม. 10230

โทรศัพท์: (66) 2517-1326, (66) 2919-9873 โทรสาร: (66) 2517-1328 URL: www.meath-co.com E-mail: support@meath.co.th

**MOTOR SPECIFICATION SHEET**

MODEL : SB-JRV 1/2HP 6P (LT)

USED FOR : STANDARD

DESCRIPTION	DETAIL					
PHASE	3					
MODEL NAME	SB-JRV					
RATED OUTPUT, HP (kW)	1/2 (0.4)					
POLE	6					
CODE						
OUTLINE DRAWING NO.	ONM84O189-*					
RATED VOLTAGE (V)	220	380	415	220	440	
RATED FREQUENCY (Hz)	50	50	50	60	60	
RATED CURRENT (A)	2.21	1.30	1.30	2.10	1.20	
RATED SPEED (min <sup>-1</sup> )	920	920	930	1100	1110	
THERMAL CLASS	130(B)					
RATING	S1 (CONTINUOUS)					
ENCLOSURE CONSTRUCTION	DRIP-PROOF					
DEGREES OF PROTECTION	IP22					
METHOD OF COOLING	IC01					
FRAME NO.	80M					
WEIGHT (kg)	15					
STANDARD	IEC 60034-1, JEC-2137-2000					
INSTALLATION	FLANGE MOUNTED (VERTICAL)					
ROTATION	CCW (VIEWED FROM SHAFT END)					
BEARING	LOAD SIDE : 6204ZZ					
	OPPOSITE SIDE : 6203ZZ					
BEARING GREASE	UREA GREASE					
NOISE (dB.A)	58					
VIBRATION	V15					
CIRCUMSTANCE CONDITION	AMBIENT TEMPERATURE : -20 ~ +40°C					
	AMBIENT HUMIDITY : 85%RH OR LESS					
	ABOVE SEA LEVEL : 1000m OR LESS					
	ENVIRONMENT : NO BURSTING/EROSIVE GAS OR VAPOR					
COLOR	MUNSELL N5.5 (GRAY)					
TERMINAL BOX	NO. OF LEAD WIRES : 6					
	SOURCE CONNECTION : LEAD WIRES					
INSULATION RESISTANCE	BY DC 500V MEGGER - $\geq 100M\Omega$					
DIELECTRIC TEST	AC 50Hz 1800V - 1min. (Based on rated voltage 380V)					
SHAFT SWING	$\leq 0.03mm$					
MATERIAL	FRAME : STEEL PLATE					
	BRACKET LOAD SIDE : CAST IRON (FLANGE)					
	OPPOSITE SIDE : ALUMINIUM					
	SHAFT : CARBON STEEL					
	STATOR CORE : ELECTRICAL STEEL					
	WIRE : ENAMELLED COPPER MAGNET WIRE					
	INSULATOR : POLYESTER FILM					
	VARNISH : EPOXY DENATURALIZATION POLYESTER					
	ROTOR CORE : ELECTRICAL STEEL					
	CONDUCTOR : ALUMINIUM					
	TERMINAL BOX : STEEL PLATE					
	PAINTING : ALKYD-NITROCELLULOSE RESIN					
PRODUCTION COUNTRY	THAILAND					

Specifications subject to change without notice.

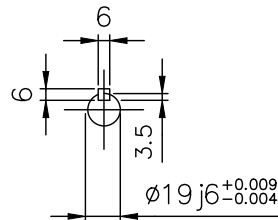
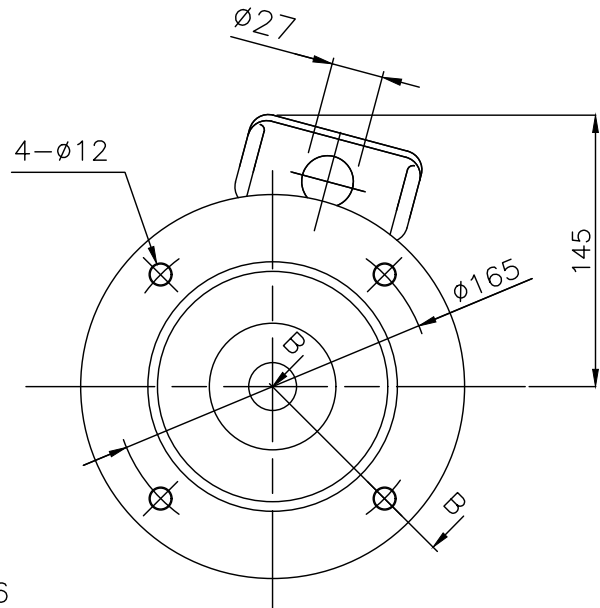
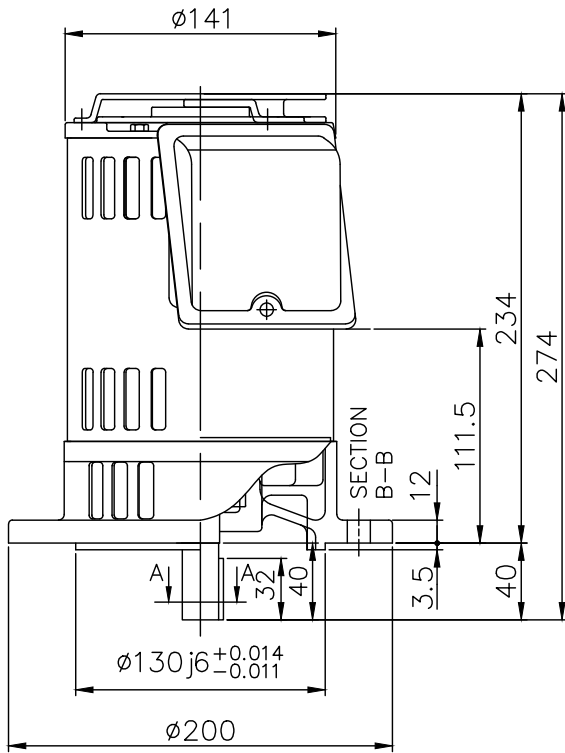
<b>SPECIFICATION SHEET NO.</b>				
SS-M-8595-A				

# MODEL SB-JRV THREE PHASE INDUCTION MOTOR OUTLINE DRAWING

DRIP-PROOF  
DEGREES OF PROTECTION IP22

CUSTOMER \_\_\_\_\_  
USER \_\_\_\_\_  
FOR \_\_\_\_\_  
CUSTOMER'S ORDER NO. \_\_\_\_\_  
QUANTITY \_\_\_\_\_  
MFG. ORDER NO. \_\_\_\_\_

ROTATION

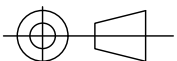


SECTION A-A

YOUR ORDER	FRAME SIZE	RATING	TH. CLASS	AMB. TEMP.	BEARINGS		COLOR	DIRECTION OF ROTATION	NO. OF LEAD WIRES	REMARKS
					LOAD SIDE	OPP. SIDE				
	80M	S1 (CONT.)	130(B)	40°C	6204ZZ	6203ZZ	GRAY (MUNSELL N5.5)	CCW	6	

YOUR ORDER	OUTPUT		POLES	VOLT	HERTZ	REMARKS
	HP	KW				
	1	0.75	2	220/380/415	50	LT
				220/440	60	
	1	0.75	4	220/380/415	50	LT
				220/440	60	
	1/2	0.4	6	220/380/415	50	LT
				220/440	60	

MITSUBISHI ELECTRIC AUTOMATION (THAILAND) CO., LTD.



DIMENSION IN mm.

SCALE : NTS

OUTLINE DRAWING NO.

0 N M 8 4 0 1 8 9

REV.

\*