

MOTOR SPECIFICATION SHEET

MODEL : SB-JRV 5HP 2P (HT)

USED FOR : STANDARD

| DESCRIPTION | DETAIL | | | | |
|----------------------------------|---|------|------|------|--|
| PHASE | 3 | | | | |
| MODEL NAME | SB-JRV | | | | |
| RATED OUTPUT, HP (kW) | 5 (3.7) | | | | |
| POLE | 2 | | | | |
| CODE | | | | | |
| OUTLINE DRAWING NO. | ONM14O192-* | | | | |
| RATED VOLTAGE (V) | 380 | 415 | 380 | 440 | |
| RATED FREQUENCY (Hz) | 50 | 50 | 60 | 60 | |
| RATED CURRENT (A) | 7.5 | 7.3 | 7.3 | 6.6 | |
| RATED SPEED (min ⁻¹) | 2890 | 2910 | 3470 | 3490 | |
| THERMAL CLASS | 155(F) | | | | |
| RATING | S1 (CONTINUOUS) | | | | |
| ENCLOSURE CONSTRUCTION | DRIP-PROOF | | | | |
| DEGREES OF PROTECTION | IP22 | | | | |
| METHOD OF COOLING | IC01 | | | | |
| FRAME NO. | 112M | | | | |
| WEIGHT (kg) | 37 | | | | |
| STANDARD | IEC 60034-1, JEC-2137-2000 | | | | |
| INSTALLATION | FLANGE MOUNTED (VERTICAL) | | | | |
| ROTATION | CCW (VIEWED FROM SHAFT END) | | | | |
| BEARING | LOAD SIDE : 6207ZZ OPPOSITE SIDE : 6206ZZ | | | | |
| BEARING GREASE | UREA GREASE | | | | |
| NOISE (dB.A) | 71 | | | | |
| VIBRATION | V10 | | | | |
| CIRCUMSTANCE CONDITION | AMBIENT TEMPERATURE : -20 ~ +40°C AMBIENT HUMIDITY : 85%RH OR LESS ABOVE SEA LEVEL : 1000m OR LESS ENVIRONMENT : NO BURSTING/EROSIVE GAS OR VAPOR | | | | |
| COLOR | MUNSELL N5.5 (GRAY) | | | | |
| TERMINAL BOX | NO. OF LEAD WIRES : 6 SOURCE CONNECTION : TERMINAL BLOCK | | | | |
| INSULATION RESISTANCE | BY DC 500V MEGGER - ≥100MΩ | | | | |
| DIELECTRIC TEST | AC 50Hz 1800V - 1min. (Based on rated voltage 380V) | | | | |
| SHAFT SWING | ≤0.03mm | | | | |
| MATERIAL | FRAME : STEEL PLATE BRACKET LOAD SIDE : CAST IRON (FLANGE) OPPOSITE SIDE : ALUMINIUM SHAFT : CARBON STEEL STATOR CORE : ELECTRICAL STEEL WIRE : ENAMELLED COPPER MAGNET WIRE INSULATOR : POLYESTER FILM SATURATED WITH RESIN VARNISH : EPOXY DENATURALIZATION POLYESTER ROTOR CORE : ELECTRICAL STEEL CONDUCTOR : ALUMINIUM TERMINAL BOX : STEEL PLATE PAINTING : ALKYD-NITROCELLULOSE RESIN | | | | |
| PRODUCTION COUNTRY | THAILAND | | | | |

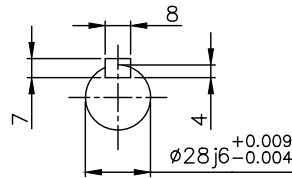
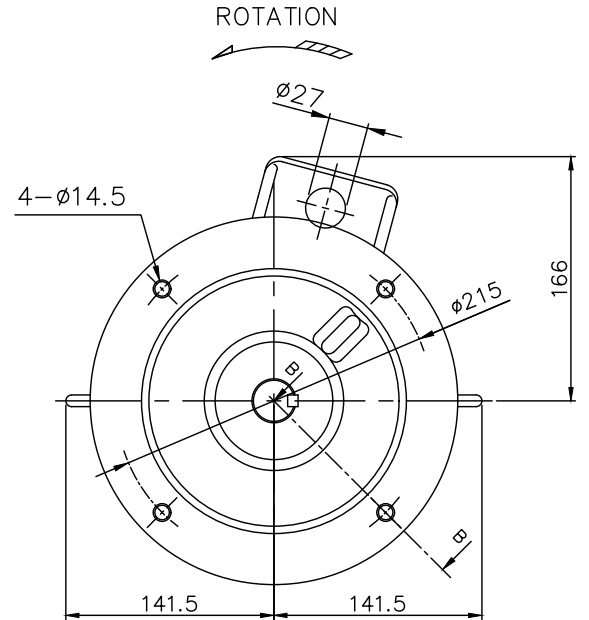
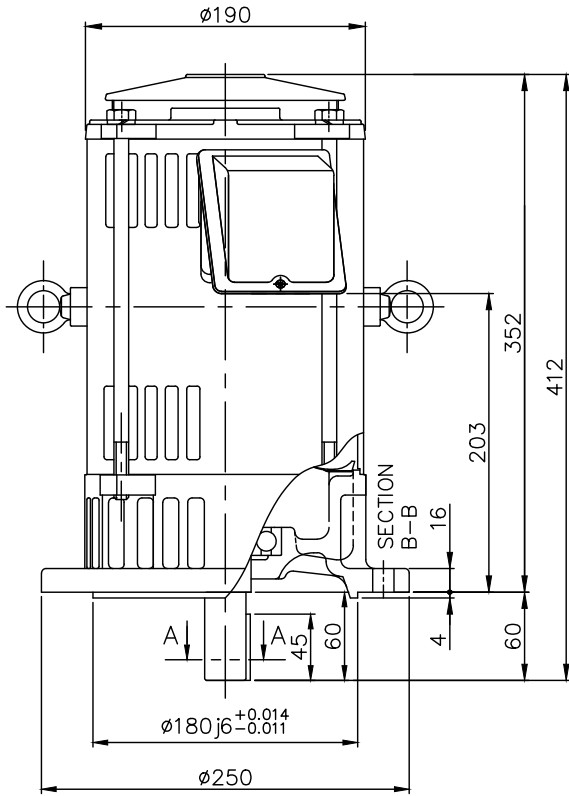
Specifications subject to change without notice.

| | | | |
|--------------------------------|--|--|--|
| SPECIFICATION SHEET NO. | | | |
| SS-M-1581-A | | | |

MODEL SB-JRV THREE PHASE INDUCTION MOTOR OUTLINE DRAWING

DRIP-PROOF
DEGREES OF PROTECTION IP22

CUSTOMER _____
USER _____
FOR _____
CUSTOMER'S ORDER NO. _____
QUANTITY _____
MFG. ORDER NO. _____

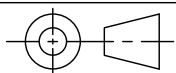


SECTION A-A

| YOUR ORDER | FRAME SIZE | RATING | TH. CLASS | AMB. TEMP. | BEARINGS | | COLOR | DIRECTION OF ROTATION | NO. OF LEAD WIRES | REMARKS |
|------------|------------|------------|-----------|------------|-----------|-----------|---------------------|-----------------------|-------------------|---------|
| | | | | | LOAD SIDE | OPP. SIDE | | | | |
| | 112M | S1 (CONT.) | 155(F) | 40°C | 6207ZZ | 6206ZZ | GRAY (MUNSELL N5.5) | CCW | 6 | |

| YOUR ORDER | OUTPUT | | POLES | VOLTS | HERTZ | REMARKS |
|------------|--------|-----|-------|-------------|-------|---------|
| | HP | kW | | | | |
| | 5 | 3.7 | 2 | 220/380/415 | 50 | LT |
| | | | | 220/440 | 60 | |
| | 5 | 3.7 | 4 | 220/380/415 | 50 | LT |
| | | | | 220/440 | 60 | |
| | 3 | 2.2 | 6 | 220/380/415 | 50 | LT |
| | | | | 220/440 | 60 | |
| | 5 | 3.7 | 2 | 380/415 | 50 | HT |
| | | | | 380/440 | 60 | |
| | 5 | 3.7 | 4 | 380/415 | 50 | HT |
| | | | | 380/440 | 60 | |

MITSUBISHI ELECTRIC AUTOMATION (THAILAND) CO., LTD.



DIMENSION IN mm.
SCALE : NTS

OUTLINE DRAWING NO.

ONM140192

REV.

*