

MOTOR SPECIFICATION SHEET

MODEL : SB-JR 7.5HP 4P (HT)

USED FOR : STANDARD

| DESCRIPTION | DETAIL | | | | |
|----------------------------------|---|------|------|------|--|
| PHASE | 3 | | | | |
| MODEL NAME | SB-JR | | | | |
| RATED OUTPUT, HP (kW) | 7.5 (5.5) | | | | |
| POLE | 4 | | | | |
| CODE | MEATH CODE : 1M002B-400550JRMRO | | | | |
| OUTLINE DRAWING NO. | ONM24O187-* | | | | |
| RATED VOLTAGE (V) | 380 | 415 | 380 | 440 | |
| RATED FREQUENCY (Hz) | 50 | 50 | 60 | 60 | |
| RATED CURRENT (A) | 11.8 | 11.8 | 11.2 | 10.6 | |
| RATED SPEED (min ⁻¹) | 1430 | 1440 | 1720 | 1730 | |
| THERMAL CLASS | 155(F) | | | | |
| RATING | S1 (CONTINUOUS) | | | | |
| ENCLOSURE CONSTRUCTION | DRIP-PROOF | | | | |
| DEGREES OF PROTECTION | IP22 | | | | |
| METHOD OF COOLING | IC01 | | | | |
| FRAME NO. | 132S | | | | |
| WEIGHT (kg) | 40 | | | | |
| STANDARD | IEC 60034-1, JEC-2137-2000 | | | | |
| INSTALLATION | FOOT MOUNTED | | | | |
| ROTATION | CCW (VIEWED FROM SHAFT END) | | | | |
| BEARING | LOAD SIDE : 6308ZZ | | | | |
| | OPPOSITE SIDE : 6207ZZ | | | | |
| BEARING GREASE | UREA GREASE | | | | |
| NOISE (dB.A) | 67 | | | | |
| VIBRATION | V10 | | | | |
| CIRCUMSTANCE CONDITION | AMBIENT TEMPERATURE : -20 ~ +40°C | | | | |
| | AMBIENT HUMIDITY : 85%RH OR LESS | | | | |
| | ABOVE SEA LEVEL : 1000m OR LESS | | | | |
| | ENVIRONMENT : NO BURSTING/EROSIVE GAS OR VAPOR | | | | |
| COLOR | MUNSELL N5.5 (GRAY) | | | | |
| TERMINAL BOX | NO. OF LEAD WIRES : 6 | | | | |
| | SOURCE CONNECTION : TERMINAL BLOCK | | | | |
| INSULATION RESISTANCE | BY DC 500V MEGGER - $\geq 100M\Omega$ | | | | |
| DIELECTRIC TEST | AC 50Hz 1800V - 1min. (Based on rated voltage 380V) | | | | |
| SHAFT SWING | $\leq 0.03mm$ | | | | |
| MATERIAL | FRAME : STEEL PLATE | | | | |
| | BRACKET : ALUMINIUM | | | | |
| | SHAFT : CARBON STEEL | | | | |
| | STATOR CORE : ELECTRICAL STEEL | | | | |
| | WIRE : ENAMELLED COPPER MAGNET WIRE | | | | |
| | INSULATOR : POLYESTER FILM SATURATED WITH RESIN | | | | |
| | VARNISH : EPOXY DENATURALIZATION POLYESTER | | | | |
| | ROTOR CORE : ELECTRICAL STEEL | | | | |
| | CONDUCTOR : ALUMINIUM | | | | |
| | TERMINAL BOX : STEEL PLATE | | | | |
| | PAINTING : ALKYD-NITROCELLULOSE RESIN | | | | |
| PRODUCTION COUNTRY | THAILAND | | | | |

Specifications subject to change without notice.

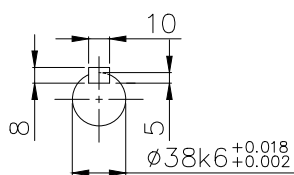
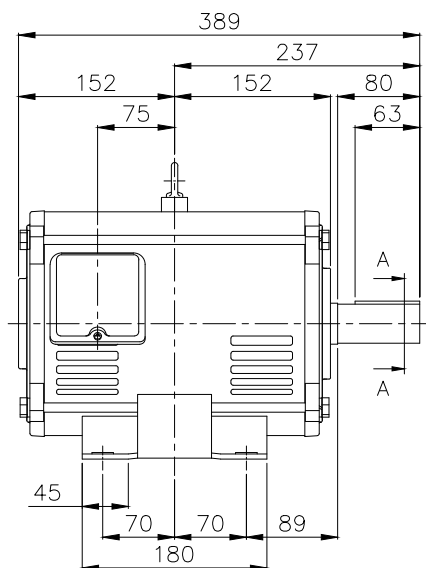
| | | | | |
|--------------------------------|--|--|--|--|
| SPECIFICATION SHEET NO. | | | | |
| SS-M-2566-A | | | | |

MODEL SB-JR THREE PHASE INDUCTION MOTOR OUTLINE DRAWING

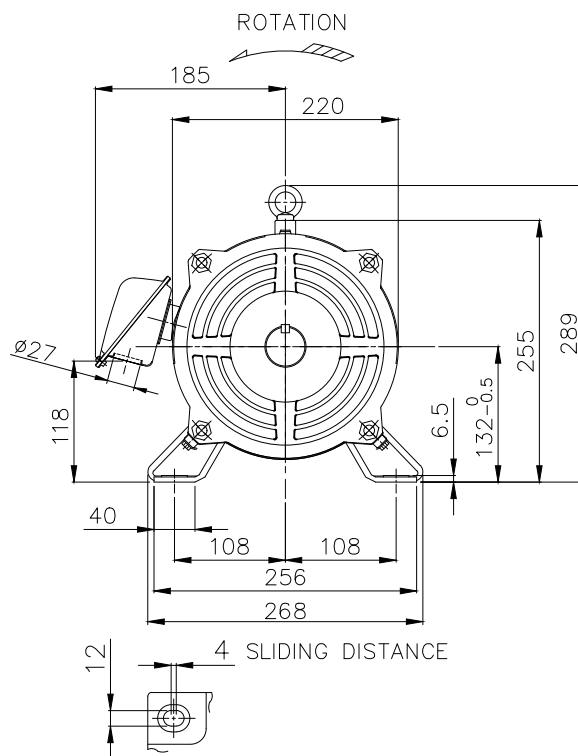
DRIP-PROOF TYPE

DEGREES OF PROTECTION IP22

CUSTOMER _____
 USER _____
 FOR _____
 CUSTOMER'S ORDER NO. _____
 QUANTITY _____
 MFG. ORDER NO. _____



SECTION A-A

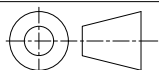


FRAME FOOT AS VIEWED FROM BELOW

| YOUR ORDER | FRAME SIZE | RATING | TH. CLASS | AMB. TEMP. | BEARINGS | | COLOR | DIRECTION OF ROTATION (VIEWED FROM SHAFT END) | NO. OF LEAD WIRES | REMARKS |
|------------|------------|------------|-----------|------------|-----------|-----------|---------------------|---|-------------------|---------|
| | | | | | LOAD SIDE | OPP. SIDE | | | | |
| | 132S | S1 (CONT.) | 155(F) | 40°C | 6308ZZ | 6207ZZ | GRAY (MUNSELL N5.5) | CCW | 6 | |

| YOUR ORDER | OUTPUT | | POLES | VOLTS | HERTZ | REMARKS |
|------------|--------|-----|-------|-------------|-------|---------|
| | HP | kW | | | | |
| | 7.5 | 5.5 | 2 | 220/380/415 | 50 | LT |
| | | | | 220/440 | 60 | |
| | 10 | 7.5 | 2 | 220/380/415 | 50 | LT |
| | | | | 220/440 | 60 | |
| | 7.5 | 5.5 | 4 | 220/380/415 | 50 | LT |
| | | | | 220/440 | 60 | |
| | 5 | 3.7 | 6 | 220/380/415 | 50 | LT |
| | | | | 220/440 | 60 | |
| | 7.5 | 5.5 | 2 | 380/415 | 50 | HT |
| | | | | 380/440 | 60 | |
| | 10 | 7.5 | 2 | 380/415 | 50 | HT |
| | | | | 380/440 | 60 | |
| | 7.5 | 5.5 | 4 | 380/415 | 50 | HT |
| | | | | 380/440 | 60 | |
| | 5 | 3.7 | 6 | 380/415 | 50 | HT |
| | | | | 380/440 | 60 | |

MITSUBISHI ELECTRIC AUTOMATION (THAILAND) CO., LTD.



DIMENSION IN mm.
 SCALE : NTS

OUTLINE DRAWING NO.

0 N M 2 4 0 1 8 7

REV.

*