

MOTOR SPECIFICATION SHEET

MODEL : MET-TGD 1/2HP, Gear Ratio 1/20 (LT)

USED FOR : GEAR MOTOR

| DESCRIPTION | DETAIL | | | | |
|----------------------------------|---|------|------|------|------|
| PHASE | 3 | | | | |
| MODEL NAME | MET-TGD | | | | |
| RATED OUTPUT, HP (kW) | 1/2 (0.4) | | | | |
| POLE | 4 | | | | |
| CODE | MEATH CODE : 1G6020-0040N-LT0 | | | | |
| OUTLINE DRAWING NO. | OMM74O841-B | | | | |
| RATED VOLTAGE (V) | 220 | 380 | 415 | 220 | 440 |
| RATED FREQUENCY (Hz) | 50 | 50 | 50 | 60 | 60 |
| RATED CURRENT (A) | 2.00 | 1.15 | 1.30 | 1.85 | 1.05 |
| RATED SPEED (min ⁻¹) | 73.5 | 73.5 | 74 | 89 | 89.5 |
| THERMAL CLASS | 155(F) | | | | |
| RATING | S1 (CONTINUOUS) | | | | |
| ENCLOSURE CONSTRUCTION | TOTALLY ENCLOSED FAN COOLED | | | | |
| DEGREES OF PROTECTION | IP55 | | | | |
| METHOD OF COOLING | IC411 | | | | |
| FRAME NO. | 71 | | | | |
| WEIGHT (kg) | 9 | | | | |
| STANDARD | IEC 60034-1, JEC-2137-2000 | | | | |
| INSTALLATION | FOOT MOUNTED | | | | |
| ROTATION | CCW (VIEWED FROM SHAFT END) | | | | |
| BEARING | LOAD SIDE : 6203ZZ | | | | |
| | OPPOSITE SIDE : 6202ZZ | | | | |
| BEARING GREASE | UREA GREASE | | | | |
| CIRCUMSTANCE CONDITION | AMBIENT TEMPERATURE : -20 ~ +40°C | | | | |
| | AMBIENT HUMIDITY : 95%RH OR LESS | | | | |
| | ABOVE SEA LEVEL : 1000m OR LESS | | | | |
| | ENVIRONMENT : NO BURSTING/EROSIVE GAS OR VAPOR | | | | |
| COLOR | MUNSELL N5.5 (GRAY) | | | | |
| TERMINAL BOX | NO. OF LEAD WIRES : 6 | | | | |
| | SOURCE CONNECTION : TERMINAL BLOCK | | | | |
| INSULATION RESISTANCE | BY DC 500V MEGGER - ≥100MΩ | | | | |
| DIELECTRIC TEST | AC 50Hz 1800V - 1min. (Based on rated voltage 380V) | | | | |
| GEAR RATIO | 1/20 | | | | |
| GEAR LUBRICANT | GREASE (Filled from factory.) | | | | |
| SERVICE FACTOR | 1.4 | | | | |
| MATERIAL | FRAME : ALUMINIUM | | | | |
| | BRACKET (GEAR SIDE) : CAST IRON | | | | |
| | BRACKET (OPP SIDE) : ALUMINIUM | | | | |
| | GEAR CASE : CAST IRON | | | | |
| | SHAFT (MOTOR) : STEEL | | | | |
| | SHAFT (GEAR OUTPUT) : STEEL | | | | |
| | STATOR CORE : ELECTRICAL STEEL | | | | |
| | WIRE : ENAMELLED COPPER MAGNET WIRE | | | | |
| | INSULATOR : POLYESTER FILM SATURATED WITH RESIN | | | | |
| | VARNISH : EPOXY DENATURALIZATION POLYESTER | | | | |
| | ROTOR CORE : ELECTRICAL STEEL | | | | |
| | CONDUCTOR : ALUMINIUM | | | | |
| | TERMINAL BOX : PLASTIC | | | | |
| PAINTING : POLYURETHANE RESIN | | | | | |
| PRODUCTION COUNTRY | THAILAND | | | | |

Specifications subject to change without notice.

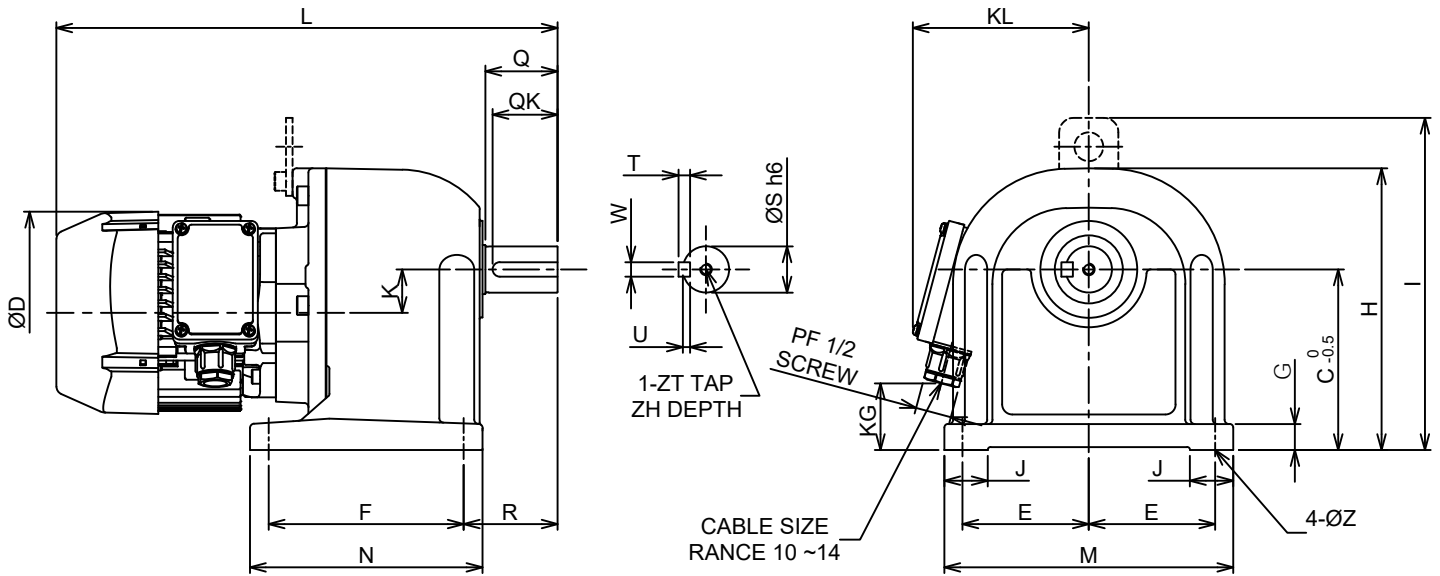
| SPECIFICATION SHEET NO. | | | | |
|-------------------------|--|--|--|--|
| SS-M-7511-A | | | | |

MODEL MET-TGD THREE PHASE INDUCTION MOTOR OUTLINE DRAWING

GEAR MOTOR
 TOTALLY ENCLOSED FAN COOLED
 DEGREE OF PROTECTION IP55
 DUST & WATER JET PROOF

CUSTOMER : _____
 USER _____
 FOR _____
 CUSTOMER'S ORDER NO. _____
 QUANTITY _____
 MFG. ORDER NO. _____

| TYPE | HP(kW) | POLE | Hz | VOLT | | |
|---------|----------|------|----|------|-----|-----|
| MET-TGD | 1/2(0.4) | 4 | 50 | 220 | 380 | 415 |
| | | | 60 | 220 | 440 | |



| GEAR RATIO | DIMENSIONS (mm.) | | | | | | | | | | | | | | | | | | | | | | | WEIGHT (KG) | |
|------------|------------------|----|----|-----|----|-----|----|-----|---|----|---|----|----|----|-----|----|----|------|-----|----|-----|-----|-----|-------------|------|
| | L | Q | QK | ØD | K | F | R | N | T | W | U | ZT | ZH | ØS | KL | KG | J | E | M | G | C | H | I | | ØZ |
| 1/3 ~ 1/50 | 293 | 36 | 32 | 142 | 20 | 85 | 50 | 109 | 6 | 6 | 4 | M8 | 12 | 22 | 122 | 31 | 25 | 75 | 170 | 15 | 100 | 160 | - | 10 | 9.0 |
| 1/60 | 347 | 50 | 45 | 142 | 30 | 135 | 65 | 161 | 8 | 10 | 5 | M8 | 12 | 32 | 122 | 46 | 30 | 87.5 | 200 | 18 | 125 | 195 | 230 | 12 | 22.5 |

| RATING | INS. CLASS | AMB. TEMP. | COLOR | NO. OF LEAD WIRES | LUBRICANTION | | ROTATION DIRECTION (VIEWED FROM OUTPUT SHAFT END) |
|--------|------------|------------|----------------------|-------------------|--------------|---------------|---|
| | | | | | GEAR RATIO | TYPE | |
| S1 | 155(F) | 40°C | GRAY MUNSELL N5.5 | 6 | 1/3 ~ 1/50 | FILLED GREASE | COUNTERCLOCKWISE (CCW) |
| | | | | | 1/60 | FILLED GREASE | CLOCKWISE (CW) |

MITSUBISHI ELECTRIC AUTOMATION (THAILAND) CO.,LTD.



DIMENSION IN mm.
 SCALE : NTS

OUTLINE DRAWING NO.

0 M M 7 4 0 8 4 1

REV.

B