

MOTOR SPECIFICATION SHEET

MODEL : SF-QRFB 7.5HP 4P (LT)

USED FOR : BRAKE MOTOR

| DESCRIPTION | DETAIL | | | |
|----------------------------------|---|------|------|--|
| PHASE | 3 | | | |
| MODEL NAME | SF-QRFB | | | |
| RATED OUTPUT, HP (kW) | 7.5 (5.5) | | | |
| POLE | 4 | | | |
| CODE | MEATH CODE : 1M002Y-400550QEGD0 | | | |
| OUTLINE DRAWING NO. | ONM24O379-B | | | |
| RATED VOLTAGE (V) | 220 | 380 | 415 | |
| RATED FREQUENCY (Hz) | 50 | 50 | 50 | |
| RATED CURRENT (A) | 20.2 | 11.7 | 11.6 | |
| RATED SPEED (min ⁻¹) | 1450 | 1450 | 1460 | |
| RATED EFFICIENCY (%) | 84.7 | 84.7 | 84.7 | |
| EFFICIENCY CLASS | IE1 | | | |
| THERMAL CLASS | 155(F) | | | |
| RATING | S1 (CONTINUOUS) | | | |
| ENCLOSURE CONSTRUCTION | TOTALLY ENCLOSED FAN COOLED | | | |
| DEGREES OF PROTECTION | IP55 | | | |
| METHOD OF COOLING | IC411 | | | |
| FRAME NO. | 132S | | | |
| WEIGHT (kg) | 73 | | | |
| STANDARD | IEC 60034-1, IEC 60034-30-1 | | | |
| INSTALLATION | FLANGE MOUNTED (HORIZONTAL) | | | |
| ROTATION | CCW (VIEWED FROM SHAFT END) | | | |
| BEARING | LOAD SIDE : 6308ZZ | | | |
| | OPPOSITE SIDE : 6207ZZ | | | |
| BEARING GREASE | UREA GREASE | | | |
| CIRCUMSTANCE CONDITION | AMBIENT TEMPERATURE : -20 ~ +40°C | | | |
| | AMBIENT HUMIDITY : 95%RH OR LESS | | | |
| | ABOVE SEA LEVEL : 1000m OR LESS | | | |
| | ENVIRONMENT : NO BURSTING/EROSIVE GAS OR VAPOR | | | |
| COLOR | MUNSELL N1.5 (BLACK) | | | |
| TERMINAL BOX | NO. OF LEAD WIRES : 6 | | | |
| | SOURCE CONNECTION : TERMINAL BLOCK | | | |
| MATERIAL | FRAME : STEEL PLATE | | | |
| | BRACKET LOAD SIDE : CAST IRON | | | |
| | OPPOSITE SIDE : CAST IRON | | | |
| | SHAFT : CARBON STEEL | | | |
| | STATOR CORE : ELECTRICAL STEEL | | | |
| | WIRE : ENAMELLED COPPER MAGNET WIRE | | | |
| | ROTOR CORE : ELECTRICAL STEEL | | | |
| | CONDUCTOR : ALUMINIUM | | | |
| | TERMINAL BOX : STEEL PLATE | | | |
| | PAINTING : POLYURETHANE RESIN | | | |
| BRAKE | TYPE : TB-A7.5 (DC) | | | |
| | RATED BRAKING TORQUE : 75 N.m | | | |
| | ELECTROMAGNETIC STROKE : INITIAL = 0.25 mm., ADJUSTABLE LIMIT = 1.2 mm. | | | |
| PRODUCTION COUNTRY | THAILAND | | | |

Specifications subject to change without notice.

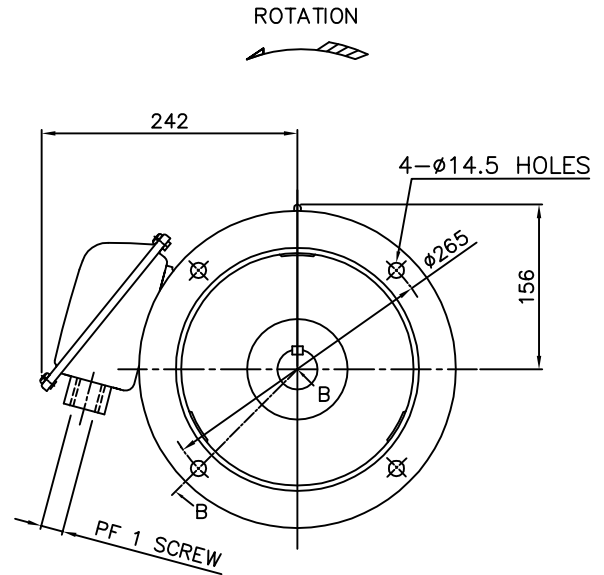
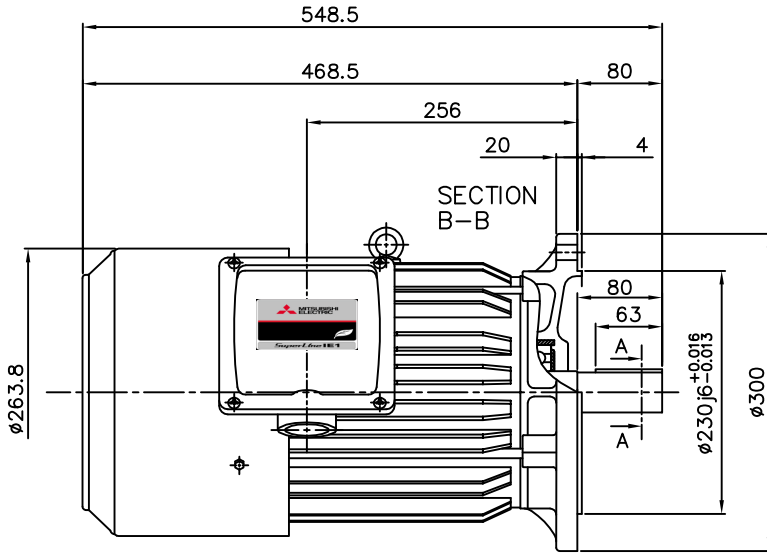
SPECIFICATION SHEET NO.

SS-N-2074-A

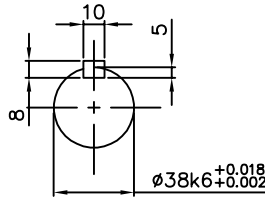
MODEL SF-QRFB THREE PHASE INDUCTION MOTOR OUTLINE DRAWING

TOTALLY ENCLOSED FAN COOLED
 DEGREES OF PROTECTION IP55
 DUST & WATER JET PROOF
 FLANGE TYPE BRAKE MOTOR
 BRAKE TYPE TB-A

CUSTOMER _____
 USER _____
 FOR _____
 CUSTOMER'S ORDER NO. _____
 QUANTITY _____
 MFG. ORDER NO. _____



BOTTOM VIEW OF SHAFT END



SECTION A-A

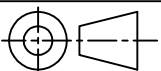
| BRAKE TYPE | RATED DAMPING TORQUE(N.m) | ELECTROMAGNETIC STROKE(mm.) | |
|------------|---------------------------|-----------------------------|------------------|
| | | INITIAL | ADJUSTABLE LIMIT |
| TB-A7.5 | 75 | 0.25 | 1.2 |

| YOUR ORDER | FRAME SIZE | RATING | TH. CLASS | AMB. TEMP. | BEARINGS | | COLOR | DIRECTION OF ROTATION (VIEWED FROM SHAFT END) | NO. OF LEAD WIRES |
|------------|------------|------------|-----------|------------|-----------|-----------|----------------------|---|-------------------|
| | | | | | LOAD SIDE | OPP. SIDE | | | |
| | 132S | S1 (CONT.) | 155(F) | 40°C | 6308ZZ | 6207ZZ | BLACK (MUNSELL N1.5) | CCW | 6 |

| YOUR ORDER | OUTPUT | | POLES | VOLTS | HERTZ | AMP. | RPM | IE CODE-RATED EFF. | REMARKS |
|------------|--------|-----|-------|-------------|-------|----------------|----------------|-----------------------|---------|
| | HP | kW | | | | | | | |
| | 7.5 | 5.5 | 4 | 220/380/415 | 50 | 20.2/11.7/11.6 | 1450/1450/1460 | IE1 84.7/84.7/84.7 | LT |
| | 5 | 3.7 | 6 | 220/380/415 | 50 | 14.5/8.4/8.3 | 950/950/960 | IE1 81.8/81.8/81.5 | LT |

CONFIDENTIAL

MITSUBISHI ELECTRIC AUTOMATION (THAILAND) CO.,LTD.



DRAW : P.NICHARAT DATE : 28/APR/21

CHECKED : OUTLINE DRAWING NO.

DIMENSION IN mm.

DESIGNED :

SCALE : NTS.

APPROVED :

0 N M 2 4 0 3 7 9 B REV.