



MITSUBISHI ELECTRIC AUTOMATION (THAILAND) CO., LTD.

Bang-Chan Industrial Estate No. 111 Moo 4, Serithai Rd., T.Kannayao, A.Kannayao, BKK 10230 Thailand
 Tel: (66) 2517-1326, (66) 2919-9873 Fax: (66) 2517-1328 URL: www.meath-co.com E-mail: support@meath.co.th

บริษัท มิตซูบิชิ อิเล็กทริก ออโตเมชัน (ประเทศไทย) จำกัด

นิติบุคคลสหกรณ์บางชัน เลขที่ 111 หมู่ 4 ถนนเสรีไทย แขวงคันทนายาว เขตคันทนายาว กทม. 10230

โทรศัพท์: (66) 2517-1326, (66) 2919-9873 โทรสาร: (66) 2517-1328 URL: www.meath-co.com E-mail: support@meath.co.th

MOTOR SPECIFICATION SHEET

MODEL : SF-QRV 5HP 2P (LT)

USED FOR : STANDARD

| DESCRIPTION | DETAIL | | | |
|----------------------------------|--|------|------|--|
| PHASE | 3 | | | |
| MODEL NAME | SF-QRV | | | |
| RATED OUTPUT, HP (kW) | 5 (3.7) | | | |
| POLE | 2 | | | |
| CODE | MEATH CODE : 1M002V-200370QVGD0 | | | |
| OUTLINE DRAWING NO. | ONM140164-C | | | |
| RATED VOLTAGE (V) | 220 | 380 | 415 | |
| RATED FREQUENCY (Hz) | 50 | 50 | 50 | |
| RATED CURRENT (A) | 12.8 | 7.4 | 7.0 | |
| RATED SPEED (min ⁻¹) | 2890 | 2890 | 2920 | |
| RATED EFFICIENCY (%) | 82.7 | 82.7 | 83.2 | |
| EFFICIENCY CLASS | IE1 | | | |
| THERMAL CLASS | 155(F) | | | |
| RATING | S1 (CONTINUOUS) | | | |
| ENCLOSURE CONSTRUCTION | TOTALLY ENCLOSED FAN COOLED | | | |
| DEGREES OF PROTECTION | IP55 | | | |
| METHOD OF COOLING | IC411 | | | |
| FRAME NO. | 112M | | | |
| WEIGHT (kg) | 37 | | | |
| STANDARD | IEC 60034-1, IEC 60034-30-1 | | | |
| INSTALLATION | FLANGE MOUNTED (VERTICAL) | | | |
| ROTATION | CCW (VIEWED FROM SHAFT END) | | | |
| BEARING | LOAD SIDE : 6207ZZ | | | |
| | OPPOSITE SIDE : 6206ZZ | | | |
| BEARING GREASE | UREA GREASE | | | |
| NOISE (db.A) | 80 | | | |
| VIBRATION | V10 | | | |
| CIRCUMSTANCE CONDITION | AMBIENT TEMPERATURE : -20 ~ +40°C | | | |
| | AMBIENT HUMIDITY : 95%RH OR LESS | | | |
| | ABOVE SEA LEVEL : 1000m OR LESS | | | |
| | ENVIRONMENT : NO BURSTING/EROSIVE GAS OR VAPOR | | | |
| COLOR | MUNSELL N1.5 (BLACK) | | | |
| TERMINAL BOX | NO. OF LEAD WIRES : 6 | | | |
| | SOURCE CONNECTION : TERMINAL BLOCK | | | |
| SHAFT SWING | ≤0.03mm | | | |
| MATERIAL | FRAME : STEEL PLATE | | | |
| | BRACKET LOAD SIDE : CAST IRON (FLANGE) | | | |
| | OPPOSITE SIDE : ALUMINIUM | | | |
| | SHAFT : CARBON STEEL | | | |
| | STATOR CORE : ELECTRICAL STEEL | | | |
| | WIRE : ENAMELLED COPPER MAGNET WIRE | | | |
| | ROTOR CORE : ELECTRICAL STEEL | | | |
| | CONDUCTOR : ALUMINIUM | | | |
| | TERMINAL BOX : STEEL PLATE | | | |
| | PAINTING : POLYURETHANE RESIN | | | |
| PRODUCTION COUNTRY | THAILAND | | | |

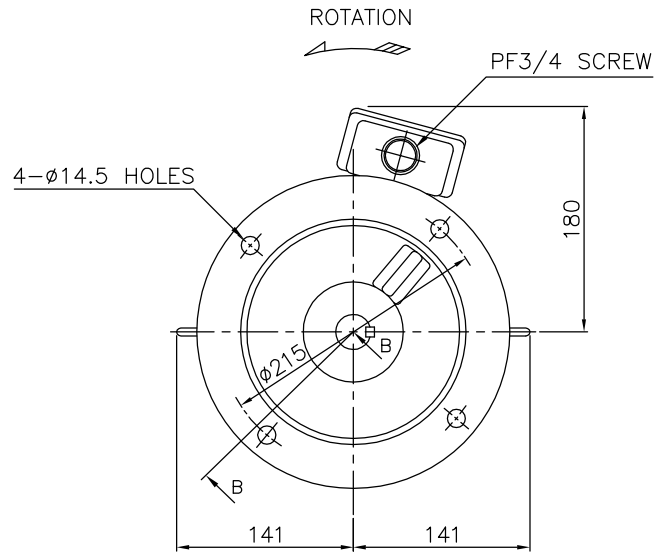
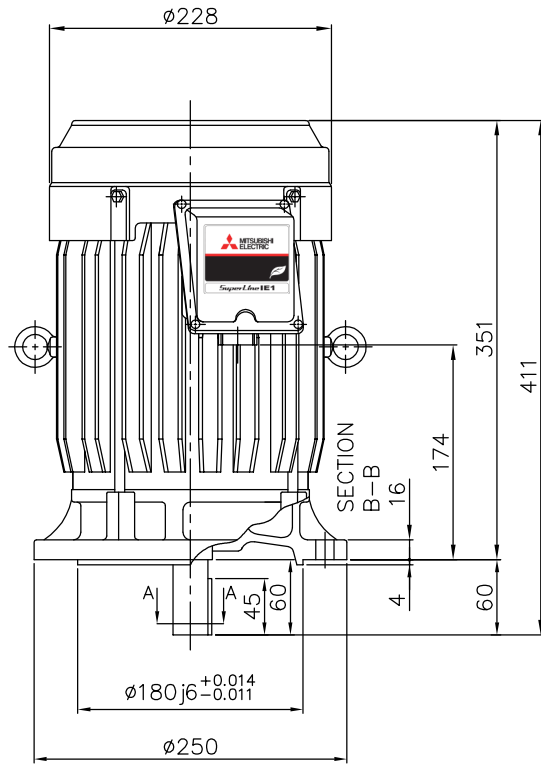
Specifications subject to change without notice.

| | | | | |
|--------------------------------|--|--|--|--|
| SPECIFICATION SHEET NO. | | | | |
| SS-M-1958-A | | | | |

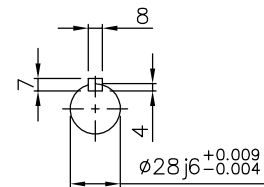
MODEL SF-QRV THREE PHASE INDUCTION MOTOR OUTLINE DRAWING

TOTALLY ENCLOSED FAN COOLED TYPE
 DEGREES OF PROTECTION IP55
 DUST & WATER JET PROOF

CUSTOMER _____
 USER _____
 FOR _____
 CUSTOMER'S ORDER NO. _____
 QUANTITY _____
 MFG. ORDER NO. _____



BOTTOM VIEW OF SHAFT END



SECTION A-A

| YOUR ORDER | FRAME SIZE | RATING | TH. CLASS | AMB. TEMP. | BEARINGS | | COLOR | DIRECTION OF ROTATION (VIEWED FROM SHAFT END) | NO. OF LEAD WIRES | REMARKS |
|------------|------------|------------|-----------|------------|-----------|-----------|----------------------|---|-------------------|---------|
| | | | | | LOAD SIDE | OPP. SIDE | | | | |
| | 112M | S1 (CONT.) | 155(F) | 40°C | 6207ZZ | 6206ZZ | BLACK (MUNSELL N1.5) | CCW | 6 | |

| YOUR ORDER | OUTPUT | | POLES | VOLTS | HERTZ | AMP. | RPM | IE CODE-RATED EFF. | REMARKS |
|------------|--------|-----|-------|-------------|-------|--------------|----------------|--------------------------|---------|
| | HP | kW | | | | | | | |
| | 5 | 3.7 | 2 | 220/380/415 | 50 | 12.8/7.4/7.0 | 2890/2890/2920 | IE1 82.7%/82.7%/83.2% | LT |
| | 5 | 3.7 | 4 | 220/380/415 | 50 | 14.0/8.1/8.0 | 1430/1430/1450 | IE1 83.1%/83.1%/83.2% | LT |
| | 3 | 2.2 | 6 | 220/380/415 | 50 | 9.7/5.6/5.4 | 940/940/950 | IE1 77.7%/77.7%/79.0% | LT |
| | 5 | 3.7 | 2 | 380/415 | 50 | 7.5/7.1 | 2890/2910 | IE1 82.7%/83.2% | HT |
| | 5 | 3.7 | 4 | 380/415 | 50 | 8.1/8.0 | 1440/1450 | IE1 82.7%/82.7% | HT |

MITSUBISHI ELECTRIC AUTOMATION (THAILAND) CO., LTD.

| | | | |
|------------------|---------------------|------|--|
| | | | |
| | OUTLINE DRAWING NO. | | |
| | O N M 1 4 0 1 6 4 C | | |
| DIMENSION IN mm. | | REV. | |
| SCALE : NTS | | | |