



**MITSUBISHI ELECTRIC AUTOMATION (THAILAND) CO., LTD.**

Bang-Chan Industrial Estate No. 111 Moo 4, Serithai Rd., T.Kannayao, A.Kannayao, BKK 10230 Thailand  
Tel: (66) 2517-1326, (66) 2919-9873 Fax: (66) 2517-1328 URL: www.meath-co.com E-mail: support@meath.co.th

**บริษัท มิทซูบิชิ อิเล็กทริก ออโตเมชัน (ประเทศไทย) จำกัด**

นิติบุคคลสาขารวมบางชั้น เลขที่ 111 หมู่ 4 ถนนเสรีไทย แขวงคันทนายาว เขตคันทนายาว กทม. 10230

โทรศัพท์: (66) 2517-1326, (66) 2919-9873 โทรสาร: (66) 2517-1328 URL: www.meath-co.com E-mail: support@meath.co.th

**MOTOR SPECIFICATION SHEET**

MODEL : SC-QR 1/3HP 4P

USED FOR : STANDARD

DESCRIPTION	DETAIL				
PHASE	1				
TYPE	CAPACITOR START				
MODEL NAME	SC-QR				
RATED OUTPUT, HP (kW)	1/3 (0.25)				
POLE	4				
CODE	MEATH CODE : 1M001C-400030QRER2				
OUTLINE DRAWING NO.	ONM74O527-*				
RATED VOLTAGE (V)	220	230	220		
RATED FREQUENCY (Hz)	50	50	60		
RATED CURRENT (A)	3.1	3.2	2.7		
RATED SPEED (min <sup>-1</sup> )	1420	1425	1710		
RATED EFFICIENCY (%)	61.5	61.5	68.0		
EFFICIENCY CLASS	IE1				
THERMAL CLASS	120(E)				
RATING	S1 (CONTINUOUS)				
ENCLOSURE CONSTRUCTION	OPEN-PROTECTED				
DEGREES OF PROTECTION	IP20				
METHOD OF COOLING	IC01				
FRAME NO.	B71				
WEIGHT (kg)	7.6				
STANDARD	JEC-2137-2000				
EFFICIENCY RULE	IEC 60034-30-1				
INSTALLATION	FOOT MOUNTED				
ROTATION	CCW (VIEWED FROM SHAFT END)				
BEARING	LOAD SIDE : 6202ZZ				
	OPPOSITE SIDE : 6201ZZ				
BEARING GREASE	UREA GREASE				
VIBRATION	V20				
CIRCUMSTANCE CONDITION	AMBIENT TEMPERATURE : -20 ~ +40°C				
	AMBIENT HUMIDITY : 85%RH OR LESS				
	ABOVE SEA LEVEL : 1000m OR LESS				
	ENVIRONMENT : NO BURSTING/EROSIVE GAS OR VAPOR				
COLOR	MUNSELL N1.5 (BLACK)				
TERMINAL BOX	NO. OF LEAD WIRES : 2				
	SOURCE CONNECTION : TERMINAL BLOCK				
SHAFT SWING	≤0.03mm				
MATERIAL	FRAME : STEEL PLATE				
	BRACKET : STEEL PLATE				
	SHAFT : CARBON STEEL				
	STATOR CORE : ELECTRICAL STEEL				
	WIRE : ENAMELLED COPPER MAGNET WIRE				
	ROTOR CORE : ELECTRICAL STEEL				
	CONDUCTOR : ALUMINIUM				
	TERMINAL BOX : PLASTIC				
	PAINTING : ALKYD-NITROCELLULOSE RESIN				
PRODUCTION COUNTRY	THAILAND				

Specifications subject to change without notice.

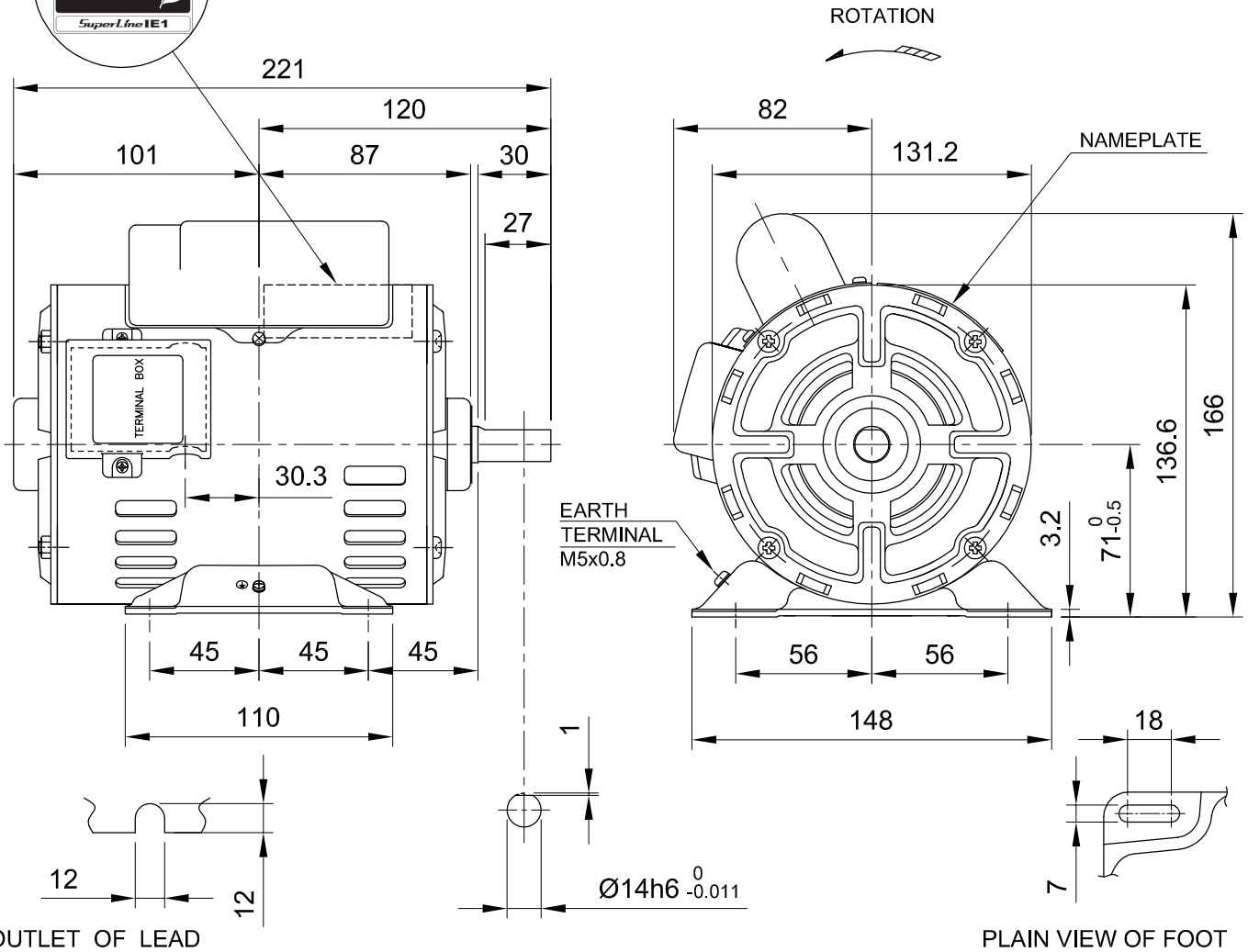
<b>SPECIFICATION SHEET NO.</b>				
SS-M-7154-A				

# MODEL SC-QR SINGLE PHASE INDUCTION MOTOR OUTLINE DRAWING

CAPACITOR START TYPE  
DEGREES OF PROTECTION IP20

STARTING CAPACITOR	80 $\mu$ F 250 V
RUNNING CAPACITOR	-

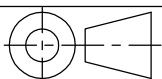
CUSTOMER	_____
USER	_____
FOR	_____
CUSTOMER'S ORDER NO.	_____
QUANTITY	_____
MFG. ORDER NO.	_____



FRAME SIZE	RATING	TH. CLASS	AMB. TEMP.	BEARINGS		COLOR	DIRECTION OF ROTATION	NO. OF LEAD WIRES
				LOAD SIDE	OPP. SIDE			
B71	S1	120(E)	40°C	6202ZZ	6201ZZ	BLACK (MUNSELL N1.5)	CCW	2 WITH TERMINAL BOARD

OUTPUT		POLE	VOLT	HERTZ	AMP	RPM	IE CODE - RATED EFF.	REMARK
HP	kW							
1/3	0.25	4	220/230	50	3.1/3.2	1420/1425	IE1- 61.5% / IE1- 61.5%	
			220	60	2.7	1710	IE1- 68.0%	

MITSUBISHI ELECTRIC AUTOMATION (THAILAND) CO.,LTD.



DIMENSION IN mm.  
SCALE : NTS.

OUTLINE DRAWING NO.

**ONM740527**

REV.

