



MITSUBISHI ELECTRIC AUTOMATION (THAILAND) CO., LTD.

Bang-Chan Industrial Estate No. 111 Moo 4, Serithai Rd., T.Kannayao, A.Kannayao, BKK 10230 Thailand
Tel: (66) 2517-1326, (66) 2919-9873 Fax: (66) 2517-1328 URL: www.meath-co.com E-mail: support@meath.co.th

บริษัท มิทซูบิชิ อิเล็กทริก ออโตเมชัน (ประเทศไทย) จำกัด

นิติบุคคลสาขารวมงาน เลขที่ 111 หมู่ 4 ถนนเสรีไทย แขวงคันทนายาว เขตคันทนายาว กทม. 10230

โทรศัพท์: (66) 2517-1326, (66) 2919-9873 โทรสาร: (66) 2517-1328 URL: www.meath-co.com E-mail: support@meath.co.th

MOTOR SPECIFICATION SHEET

MODEL : SC-QR 1/4HP 4P

USED FOR : STANDARD

DESCRIPTION	DETAIL				
PHASE	1				
TYPE	CAPACITOR START				
MODEL NAME	SC-QR				
RATED OUTPUT, HP (kW)	1/4 (0.2)				
POLE	4				
CODE	MEATH CODE : 1M001C-400020QRER2				
OUTLINE DRAWING NO.	ONM74O526-*				
RATED VOLTAGE (V)	220	230	220		
RATED FREQUENCY (Hz)	50	50	60		
RATED CURRENT (A)	2.6	2.7	2.2		
RATED SPEED (min ⁻¹)	1425	1430	1720		
RATED EFFICIENCY (%)	58.5	58.5	66.0		
EFFICIENCY CLASS	IE1				
THERMAL CLASS	120(E)				
RATING	S1 (CONTINUOUS)				
ENCLOSURE CONSTRUCTION	OPEN-PROTECTED				
DEGREES OF PROTECTION	IP20				
METHOD OF COOLING	IC01				
FRAME NO.	A71				
WEIGHT (kg)	6.8				
STANDARD	JEC-2137-2000				
EFFICIENCY RULE	IEC 60034-30-1				
INSTALLATION	FOOT MOUNTED				
ROTATION	CCW (VIEWED FROM SHAFT END)				
BEARING	LOAD SIDE : 6202ZZ				
	OPPOSITE SIDE : 6201ZZ				
BEARING GREASE	UREA GREASE				
VIBRATION	V20				
CIRCUMSTANCE CONDITION	AMBIENT TEMPERATURE : -20 ~ +40°C				
	AMBIENT HUMIDITY : 85%RH OR LESS				
	ABOVE SEA LEVEL : 1000m OR LESS				
	ENVIRONMENT : NO BURSTING/EROSIVE GAS OR VAPOR				
COLOR	MUNSELL N1.5 (BLACK)				
TERMINAL BOX	NO. OF LEAD WIRES : 2				
	SOURCE CONNECTION : TERMINAL BLOCK				
SHAFT SWING	≤0.03mm				
MATERIAL	FRAME : STEEL PLATE				
	BRACKET : STEEL PLATE				
	SHAFT : CARBON STEEL				
	STATOR CORE : ELECTRICAL STEEL				
	WIRE : ENAMELLED COPPER MAGNET WIRE				
	ROTOR CORE : ELECTRICAL STEEL				
	CONDUCTOR : ALUMINIUM				
	TERMINAL BOX : PLASTIC				
	PAINTING : ALKYD-NITROCELLULOSE RESIN				
PRODUCTION COUNTRY	THAILAND				

Specifications subject to change without notice.

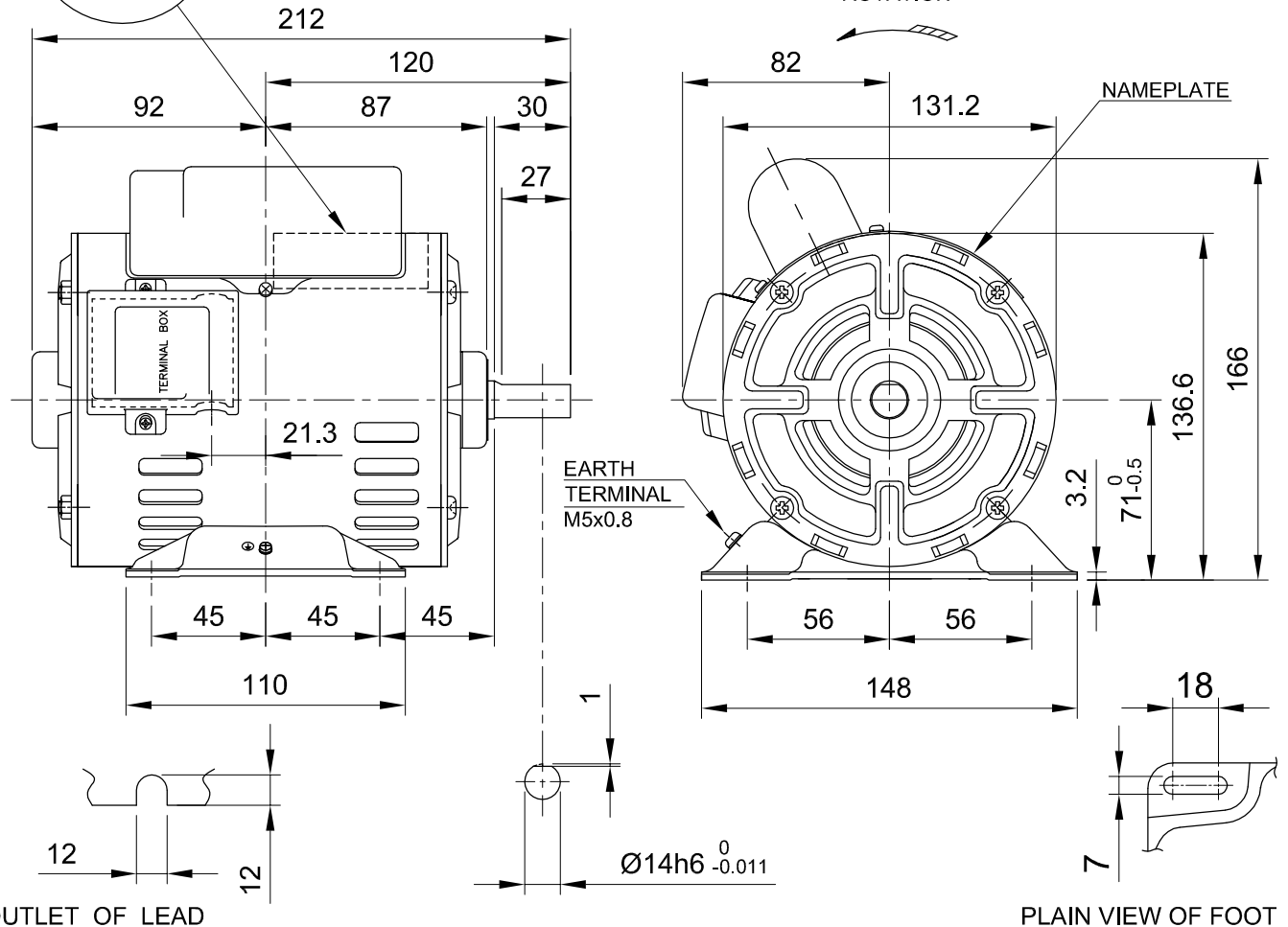
SPECIFICATION SHEET NO.				
SS-M-7153-A				

MODEL SC-QR SINGLE PHASE INDUCTION MOTOR OUTLINE DRAWING

CAPACITOR START TYPE
DEGREES OF PROTECTION IP20

STARTING CAPACITOR	80 μF 250 V
RUNNING CAPACITOR	-

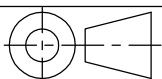
CUSTOMER	
USER	
FOR	
CUSTOMER'S ORDER NO.	
QUANTITY	
MFG. ORDER NO.	



FRAME SIZE	RATING	TH. CLASS	AMB. TEMP.	BEARINGS		COLOR	DIRECTION OF ROTATION	NO. OF LEAD WIRES
				LOAD SIDE	OPP. SIDE			
A71	S1	120(E)	40°C	6202ZZ	6201ZZ	BLACK (MUNSELL N1.5)	CCW	2 WITH TERMINAL BOARD

OUTPUT		POLE	VOLT	HERTZ	AMP	RPM	IE CODE - RATED EFF.	REMARK
HP	KW							
1/4	0.2	4	220/230	50	2.6/2.7	1425/1430	IE1- 58.5% / IE1- 58.5%	
			220	60	2.2	1720	IE1- 66.0%	

MITSUBISHI ELECTRIC AUTOMATION (THAILAND) CO.,LTD.



DIMENSION IN mm.
SCALE : NTS.

OUTLINE DRAWING NO.

ONM740526

REV.

