

**MOTOR SPECIFICATION SHEET**

MODEL : SF-PRVO 1.5kW 4P IP55

USED FOR : 400V CLASS

MANUFACTURER : MITSUBISHI ELECTRIC AUTOMATION (THAILAND) CO.,LTD.

DESCRIPTION	DETAIL				
PHASE	3				
MODEL NAME	SF-PRVO				
RATED OUTPUT	1.5 kW				
POLE	4				
CODE	MEATH CODE : 1M002V-400150PVNH0				
OUTLINE DRAWING NO.	ONM94O422-A				
RATED VOLTAGE (V)	380	400	415	400	
RATED FREQUENCY (Hz)	50	50	50	60	
RATED CURRENT (A)	3.4	3.3	3.3	3.0	
RATED SPEED (min <sup>-1</sup> )	1445	1450	1455	1745	
RATED EFFICIENCY (%)	86.7	86.9	86.6	88.6	
EFFICIENCY CLASS	IE3				
THERMAL CLASS	120(E)				
RATING	S1 (CONTINUOUS)				
ENCLOSURE CONSTRUCTION	TOTALLY ENCLOSED FAN COOLED				
DEGREES OF PROTECTION	IP55 (OUTDOOR DUST&WATER JET PROOF)				
METHOD OF COOLING	IC411				
FRAME NO.	90L				
WEIGHT (kg)	23				
STANDARD	IEC 60034-1, IEC 60034-30-1				
INSTALLATION	FLANGE MOUNTED (VERTICAL)				
ROTATION	CCW (VIEWED FROM SHAFT END)				
BEARING	LOAD SIDE : 6205ZZ OPPOSITE SIDE : 6205ZZ				
BEARING GREASE	UREA GREASE				
NOISE (dB.A) *	50Hz : 49 / 60Hz : 50				
VIBRATION	V15				
CIRCUMSTANCE CONDITION	AMBIENT TEMPERATURE : -30 ~ +40°C AMBIENT HUMIDITY : 100%RH (NO CONDENSATION) ABOVE SEA LEVEL : 1000m OR LESS ENVIRONMENT : NO CORROSIVE/EXPLOSIVE GAS, NO STEAM OR CONDENSATION, MINIMAL DUST.				
COLOR	MUNSELL N7 (GRAY)				
TERMINAL BOX	NO. OF LEAD WIRES : 3 SOURCE CONNECTION : TERMINAL BLOCK				
SHAFT SWING	≤0.03mm				
MATERIAL	FRAME : STEEL PLATE BRACKET LOAD SIDE : CAST IRON (FLANGE) OPPOSITE SIDE : ALUMINIUM SHAFT : CARBON STEEL STATOR CORE : ELECTRICAL STEEL WIRE : ENAMELLED COPPER MAGNET WIRE ROTOR CORE : ELECTRICAL STEEL CONDUCTOR : ALUMINIUM TERMINAL BOX : STEEL PLATE PAINTING : POLYURETHANE RESIN				
PRODUCTION COUNTRY	THAILAND				

\*Value indicates representative value, not guaranteed value.

Specifications subject to change without notice.

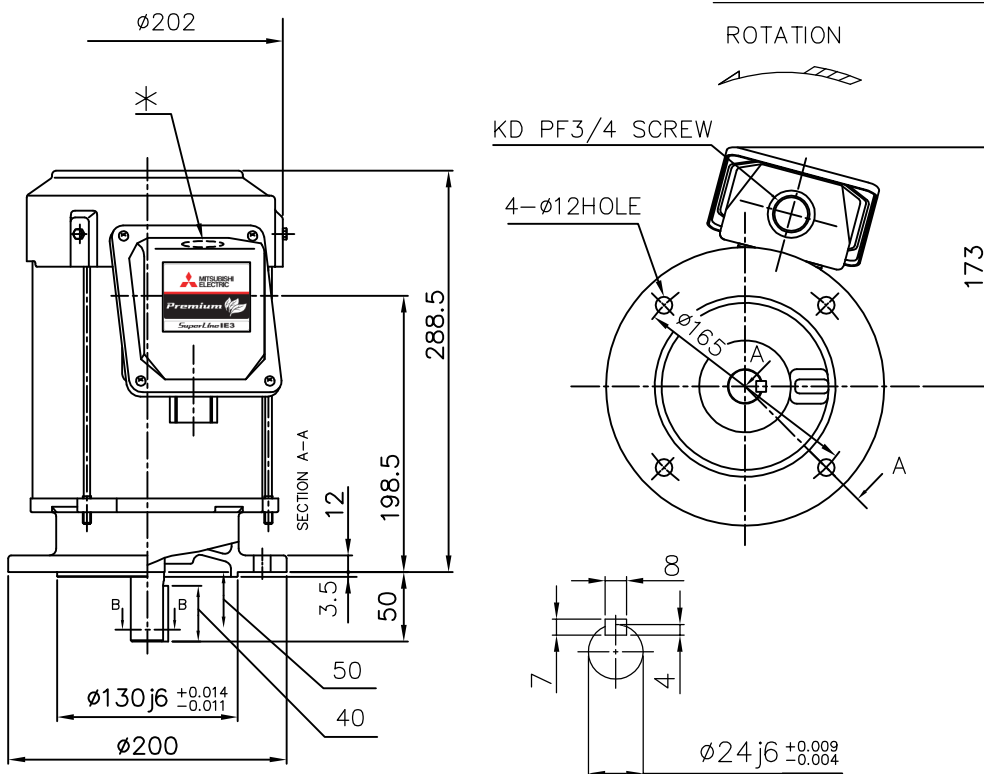
<b>SPECIFICATION SHEET NO.</b>				
SS-N-9102-A				

# MODEL SF-PRVO THREE PHASE INDUCTION MOTOR OUTLINE DRAWING

OUTDOOR DUST & WATER JET PROOF MOTOR

TOTALLY ENCLOSED FAN COOLED TYPE  
 DEGREES OF PROTECTION IP55  
 FLANGE NO. FF165

CUSTOMER \_\_\_\_\_  
 USER \_\_\_\_\_  
 FOR \_\_\_\_\_  
 CUSTOMER'S ORDER NO. \_\_\_\_\_  
 QUANTITY \_\_\_\_\_  
 MFG. ORDER NO. \_\_\_\_\_



REMARK:

\* =



NOTE :

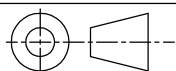
GAP OF HOLE BETWEEN SHAFT-BRACKET HAVE NOT PROTECTION WATER PROOF SO PLEASE SEAL WITH FLANGE IN-ROW BY YOUR SELF.

SECTION B-B

YOUR ORDER	FRAME SIZE	RATING	TH. CLASS	AMB. TEMP.	BEARINGS		COLOR	DIRECTION OF ROTATION (VIEWED FROM SHAFT END)	NO. OF TERMINALS	REMARKS
					LOAD SIDE	OPP. SIDE				
	90L	S1 (CONT.)	120(E)	40°C	6205ZZ	6205ZZ	GRAY (MUNSELL N7)	CCW	3	

YOUR ORDER	OUTPUT		RATE VOLTAGE	IE CODE-RATED EFF.						MASS(Kg)
	kW	POLE		50Hz				60Hz		
				200V	380V	400V	415V	200V	400V	
	1.5	2	200V 50Hz 200V 60Hz	IE3-89.4%	-	-	-	IE3-89.3%	-	22
	1.5	2	380/400/415V 50Hz 400V 60Hz	-	IE3-88.8%	IE3-89.4%	IE3-89.6%	-	IE3-89.3%	22
	2.2	2	200V 50Hz 200V 60Hz	IE3-89.5%	-	-	-	IE3-89.6%	-	24
	2.2	2	380/400/415V 50Hz 400V 60Hz	-	IE3-88.8%	IE3-89.5%	IE3-89.8%	-	IE3-89.6%	24
	1.5	4	200V 50Hz 200V 60Hz	IE3-86.9%	-	-	-	IE3-88.6%	-	23
	1.5	4	380/400/415V 50Hz 400V 60Hz	-	IE3-86.7%	IE3-86.9%	IE3-86.6%	-	IE3-88.6%	23

MITSUBISHI ELECTRIC AUTOMATION(THAILAND)CO.,LTD



DIMENSION IN mm.  
 SCALE : NTS

OUTLINE DRAWING NO.

REV.

0 N M 9 4 0 4 2 2

A