

**MOTOR SPECIFICATION SHEET**

MODEL : SF-PRO 1.5kW 2P IP55

USED FOR : 200V CLASS

MANUFACTURER : MITSUBISHI ELECTRIC AUTOMATION (THAILAND) CO.,LTD.

| DESCRIPTION                      | DETAIL                              |  |  |
|----------------------------------|-------------------------------------|--|--|
| PHASE                            | 3                                   |  |  |
| MODEL NAME                       | SF-PRO                              |  |  |
| RATED OUTPUT                     | 1.5 kW                              |  |  |
| POLE                             | 2                                   |  |  |
| CODE                             | MEATH CODE : 1M002F-200150LJDI0     |  |  |
| OUTLINE DRAWING NO.              | ONM94O419-A                         |  |  |
| RATED VOLTAGE (V)                | 200                                 | 200  |  |
| RATED FREQUENCY (Hz)             | 50                                  | 60   |  |
| RATED CURRENT (A)                | 6.0                                 | 5.6  |  |
| RATED SPEED (min <sup>-1</sup> ) | 2910                                | 3495   |  |
| RATED EFFICIENCY (%)             | 89.4                                | 89.3   |  |
| EFFICIENCY CLASS                 | IE3                                 |  |  |
| THERMAL CLASS                    | 120(E)                              |  |  |
| RATING                           | S1 (CONTINUOUS)                     |  |  |
| ENCLOSURE CONSTRUCTION           | TOTALLY ENCLOSED FAN COOLED         |  |  |
| DEGREES OF PROTECTION            | IP55 (OUTDOOR DUST&WATER JET PROOF) |  |  |
| METHOD OF COOLING                | IC411                               |  |  |
| FRAME NO.                        | 90L                                 |  |  |
| WEIGHT (kg)                      | 19                                  |  |  |
| STANDARD                         | IEC 60034-1, IEC 60034-30-1         |  |  |
| INSTALLATION                     | FOOT MOUNTED                        |  |  |
| ROTATION                         | CCW (VIEWED FROM SHAFT END)         |  |  |
| BEARING                          | LOAD SIDE                           | : 6205ZZ   |  |
|                                  | OPPOSITE SIDE                       | : 6205ZZ   |  |
| BEARING GREASE                   | UREA GREASE                         |  |  |
| NOISE (dB.A) *                   | 50Hz : 61 / 60Hz : 65               |  |  |
| VIBRATION                        | V15                                 |  |  |
| CIRCUMSTANCE<br>CONDITION        | AMBIENT TEMPERATURE                 | : -30 ~ +40°C  |  |
|                                  | AMBIENT HUMIDITY                    | : 100%RH (NO CONDENSATION)   |  |
|                                  | ABOVE SEA LEVEL                     | : 1000m OR LESS  |  |
|                                  | ENVIRONMENT                         | : NO CORROSIVE/EXPLOSIVE GAS, NO STEAM OR<br>CONDENSATION, MINIMAL DUST. |  |
| COLOR                            | MUNSELL N7 (GRAY)                   |  |  |
| TERMINAL BOX                     | NO. OF LEAD WIRES                   | : 3  |  |
|                                  | SOURCE CONNECTION                   | : TERMINAL BLOCK   |  |
| SHAFT SWING                      | ≤0.03mm                             |  |  |
| MATERIAL                         | FRAME                               | : STEEL PLATE  |  |
|                                  | BRACKET                             | : ALUMINIUM  |  |
|                                  | SHAFT                               | : CARBON STEEL   |  |
|                                  | STATOR CORE                         | : ELECTRICAL STEEL   |  |
|                                  | WIRE                                | : ENAMELLED COPPER MAGNET WIRE   |  |
|                                  | ROTOR CORE                          | : ELECTRICAL STEEL   |  |
|                                  | CONDUCTOR                           | : ALUMINIUM  |  |
|                                  | TERMINAL BOX                        | : STEEL PLATE  |  |
|                                  | PAINTING                            | : POLYURETHANE RESIN   |  |
| PRODUCTION COUNTRY               | THAILAND                            |  |  |

\*Value indicates representative value, not guaranteed value.

Specifications subject to change without notice.

|                                |  |  |  |  |
|--------------------------------|--|--|--|--|
| <b>SPECIFICATION SHEET NO.</b> |  |  |  |  |
| SS-N-9087-A                    |  |  |  |  |

# MODEL SF-PRO THREE PHASE INDUCTION MOTOR OUTLINE DRAWING

OUTDOOR DUST & WATER JET PROOF MOTOR

TOTALLY ENCLOSED FAN COOLED TYPE

DEGREES OF PROTECTION IP55

CUSTOMER \_\_\_\_\_

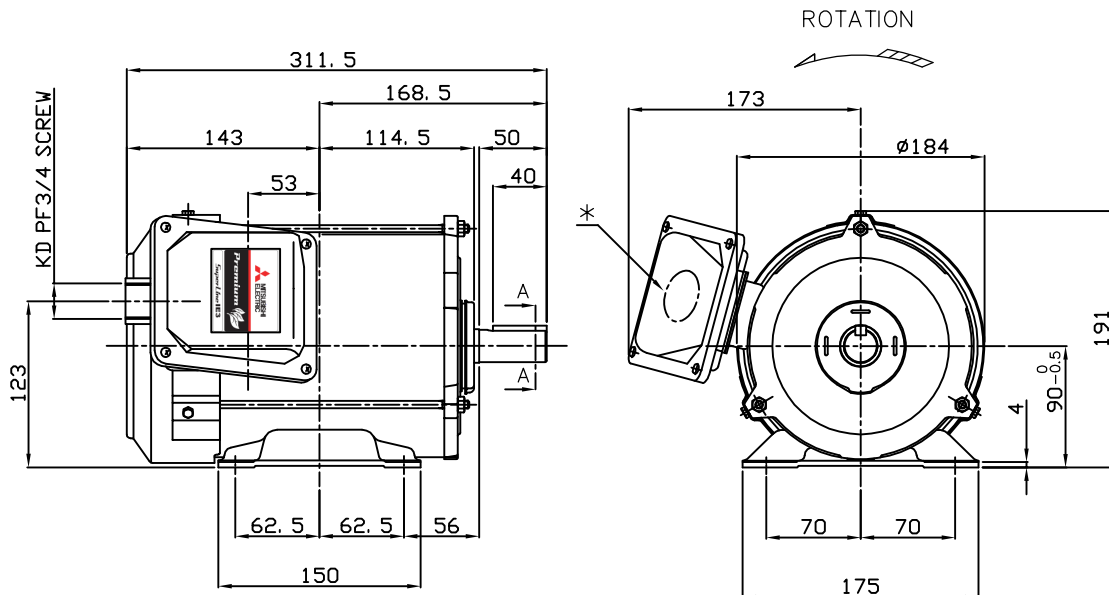
USER \_\_\_\_\_

FOR \_\_\_\_\_

CUSTOMER'S ORDER NO. \_\_\_\_\_

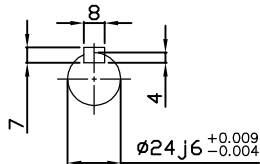
QUANTITY \_\_\_\_\_

MFG. ORDER NO. \_\_\_\_\_

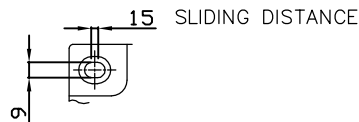


REMARK :

\* =



SECTION A-A

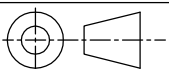


FRAME FOOT AS VIEWED FROM BELOW

| YOUR ORDER | FRAME SIZE | RATING     | TH. CLASS | AMB. TEMP. | BEARINGS  |           | COLOR             | DIRECTION OF ROTATION (VIEWED FROM SHAFT END) | NO. OF TERMINALS | REMARKS |
|------------|------------|------------|-----------|------------|-----------|-----------|-------------------|---|------------------|---------|
|            |            |            |           |            | LOAD SIDE | OPP. SIDE |                   |   |                  |         |
|            | 90L        | S1 (CONT.) | 120(E)    | 40°C       | 6205ZZ    | 6205ZZ    | GRAY (MUNSELL N7) | CCW   | 3                |         |

| YOUR ORDER | OUTPUT |      | RATE VOLTAGE                   | IE CODE-RATED EFF. |           |           |           |           |           | MASS(Kg) |
|------------|--------|------|--------------------------------|--------------------|-----------|-----------|-----------|-----------|-----------|----------|
|            | kW     | POLE |                                | 50Hz               |           |           | 60Hz      |           |           |          |
|            |        |      |                                | 200V               | 380V      | 400V      | 415V      | 200V      | 400V      |          |
|            | 1.5    | 2    | 200V 50Hz<br>200V 60Hz         | IE3-89.4%          | -         | -         | -         | IE3-89.3% | -         | 19       |
|            | 1.5    | 2    | 380/400/415V 50Hz<br>400V 60Hz | -                  | IE3-88.8% | IE3-89.4% | IE3-89.6% | -         | IE3-89.3% | 19       |
|            | 2.2    | 2    | 200V 50Hz<br>200V 60Hz         | IE3-89.5%          | -         | -         | -         | IE3-89.6% | -         | 21       |
|            | 2.2    | 2    | 380/400/415V 50Hz<br>400V 60Hz | -                  | IE3-88.8% | IE3-89.5% | IE3-89.8% | -         | IE3-89.6% | 21       |
|            | 1.5    | 4    | 200V 50Hz<br>200V 60Hz         | IE3-86.9%          | -         | -         | -         | IE3-88.6% | -         | 20       |
|            | 1.5    | 4    | 380/400/415V 50Hz<br>400V 60Hz | -                  | IE3-86.7% | IE3-86.9% | IE3-86.6% | -         | IE3-88.6% | 20       |

MITSUBISHI ELECTRIC AUTOMATION(THAILAND)CO.,LTD



DIMENSION IN mm.

SCALE : NTS

OUTLINE DRAWING NO.

0 N M 9 4 0 4 1 9

REV.

A